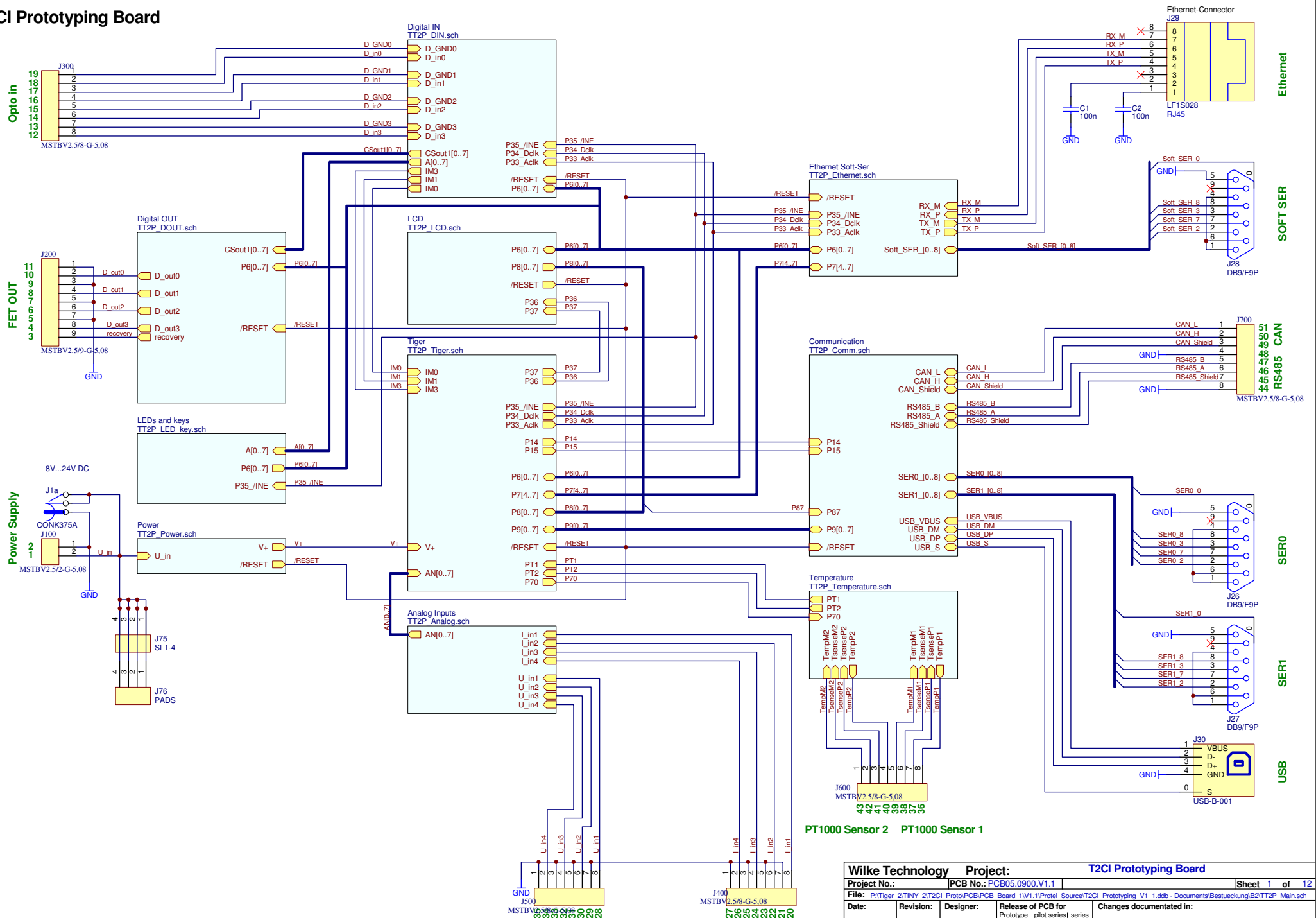
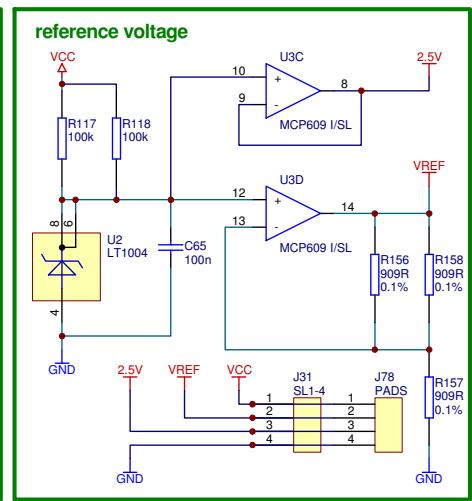
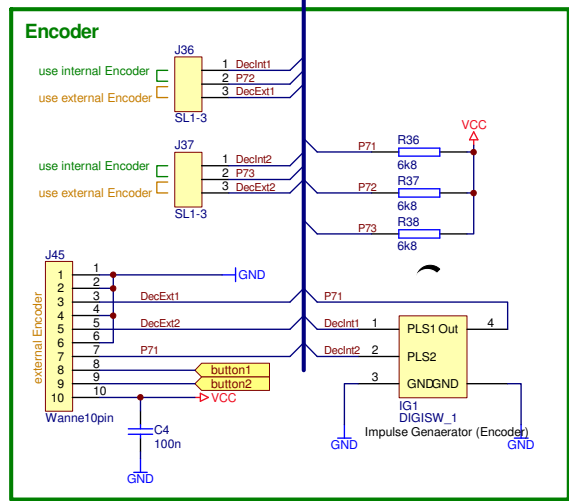
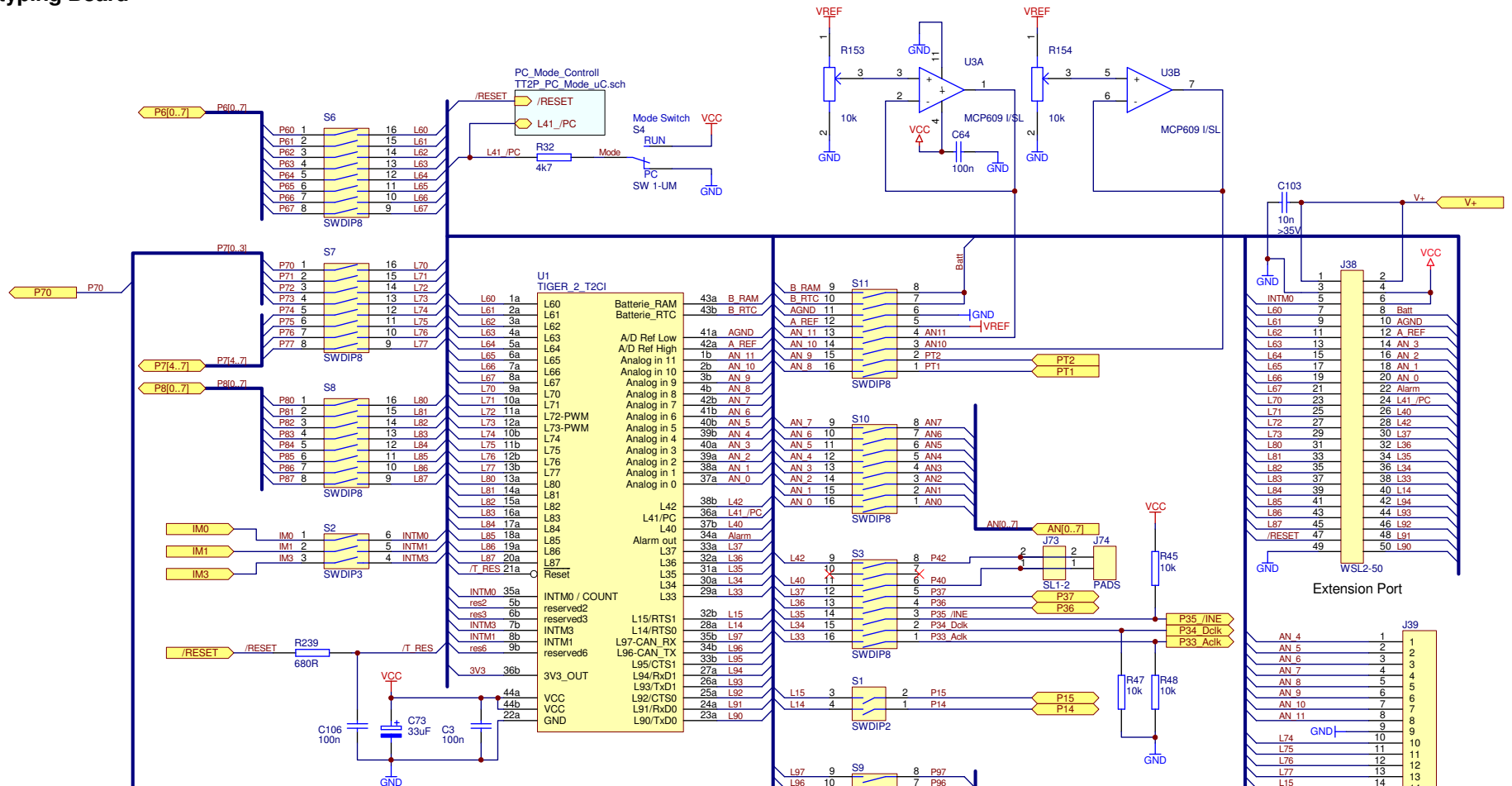


# T2CI Prototyping Board



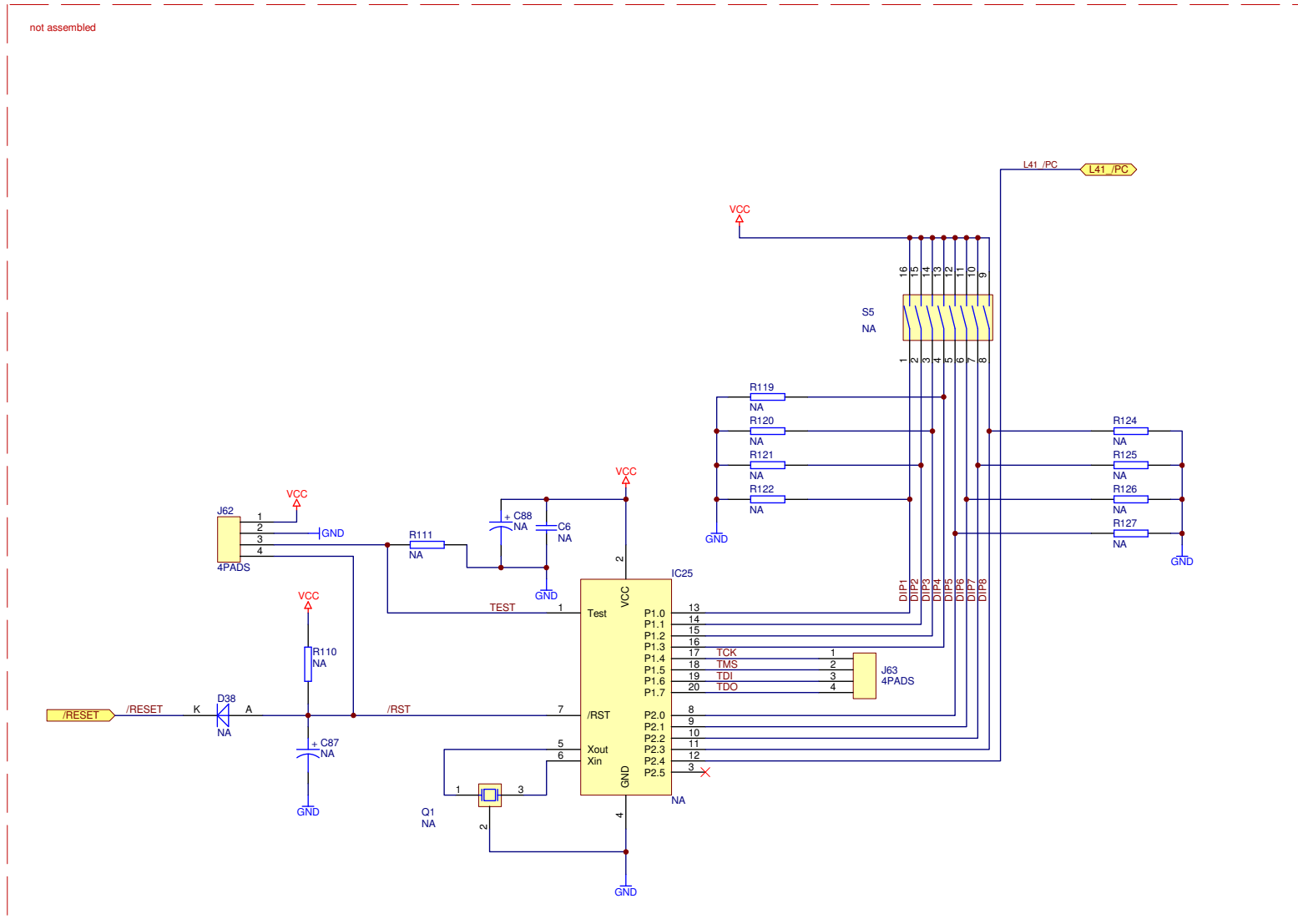
Wilke Technology Project:		T2CI Prototyping Board	
Project No.:	PCB No.: PCB05.0900.V1.1	Sheet 1 of 12	
File:	P:\Tiger_2TINY_2T2CI_Proto\PCB\PCB_Board_1\1.1\Protel_Source\T2CI_Prototyping_V1_1.ddb - Documents\Bestueckung\B2\TT2P_Main.sch		
Date:	Revision:	Designer:	Release of PCB for Prototype   pilot series   series
01.Sep.2005	V1.0	A. Küpper	OK
18.Okt.2005	V1.1	A. Küpper	OK
Changes documented in:		P:\Tiger_INTINY_II\T2CI_Proto\PCB\History_T2CI_Proto.doc	
		P:\Tiger_INTINY_III\T2CI_Proto\PCB\History_T2CI_Proto.doc	

# T2CI Prototyping Board



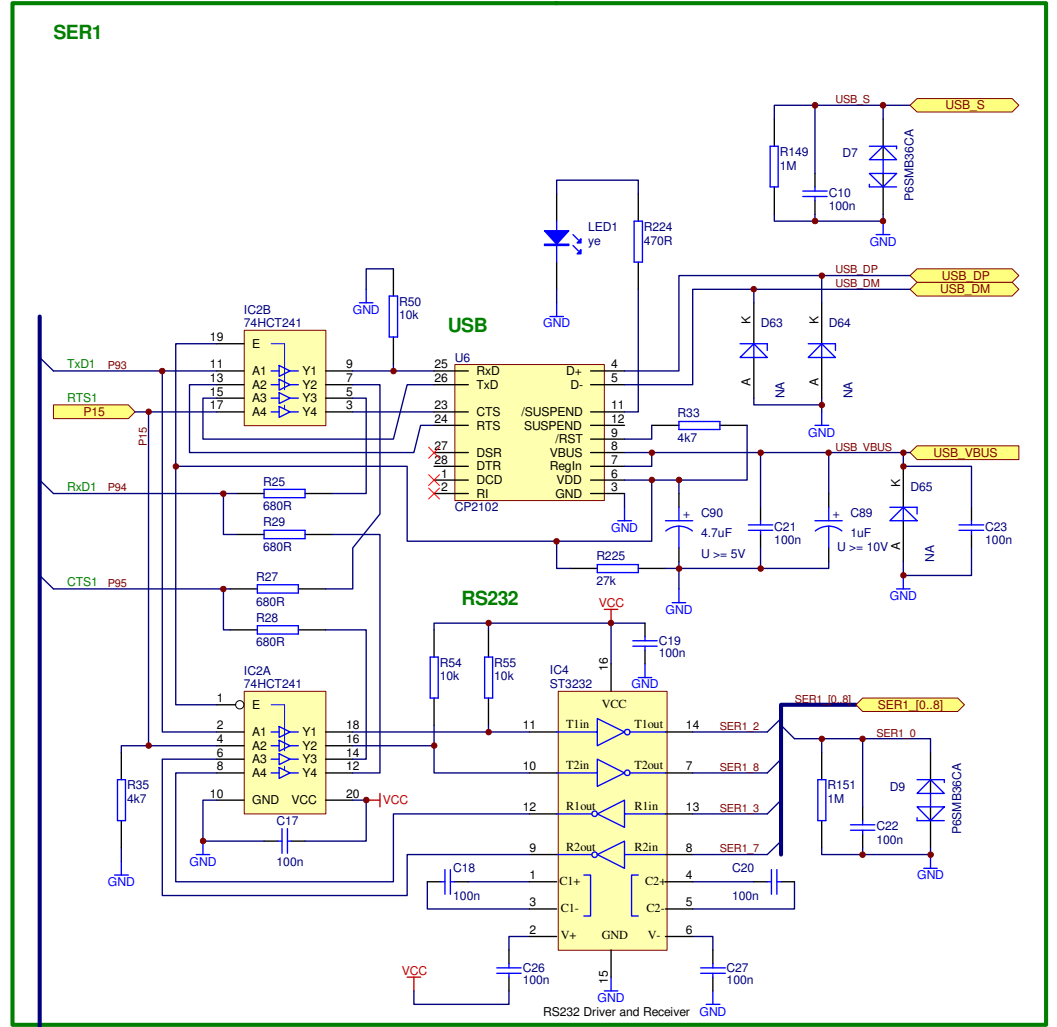
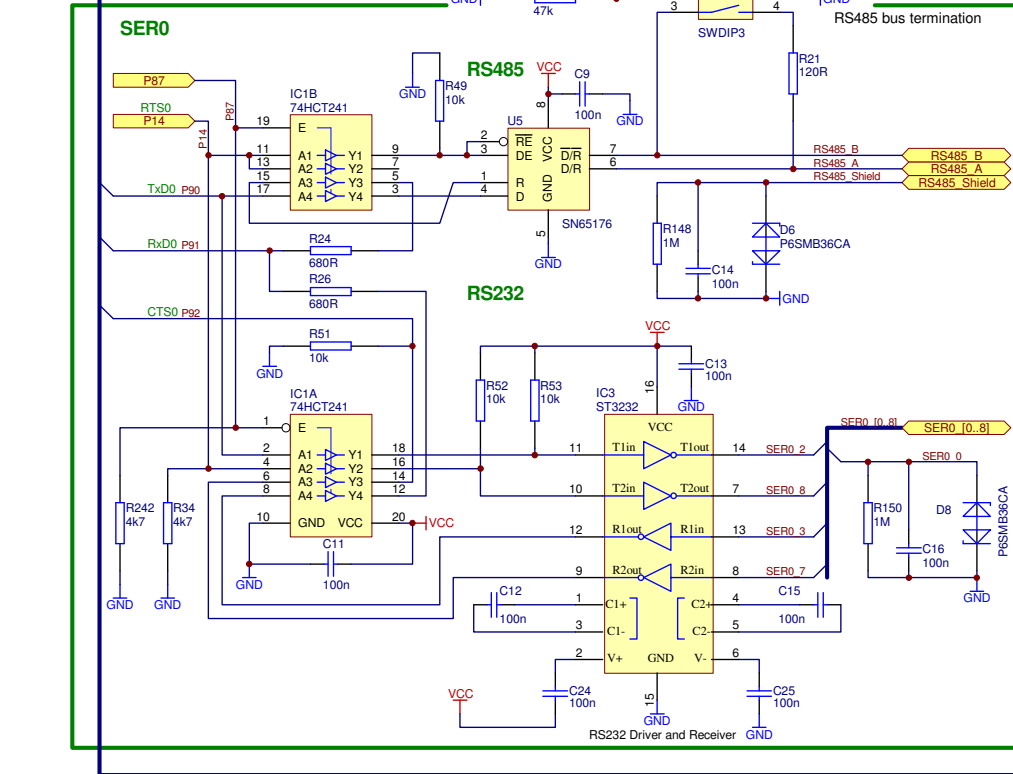
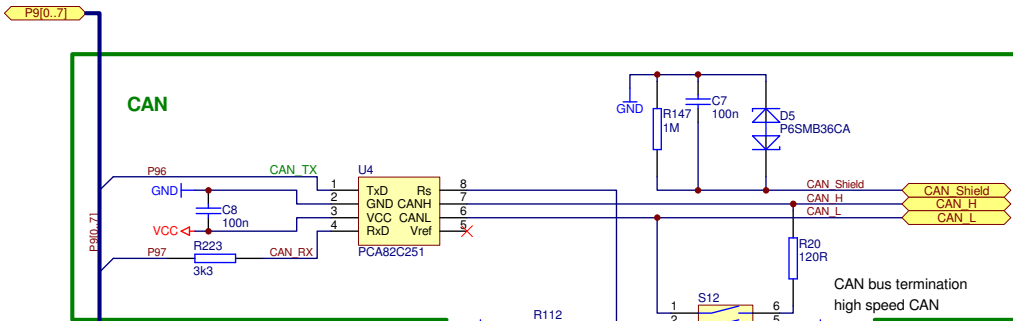
Wilke Technology Project:		T2CI Prototyping Board Tiger	
Project No.:	PCB No.:	PCB05.0900.V1.1	Sheet 2 of 12
File: P:\Tiger_2\TINY_2\T2CI_Proto\PCB\PCB_Board_1\V1.1\Protel_Source\T2CI_Prototyping_V1.1.ddb - Documents\Bestueckung\B2\T2P_Tiger.sch			
Date:	Revision:	Designer:	Release of PCB for Prototype   pilot series   series
01.Sep.2005	V1.0	A. Küpper	Changes documented in:
18.Okt.2005	V1.1	A. Küpper	P:\Tiger_ITINY_III\T2CI_Proto\PCB\History_T2CI_Proto.doc
			P:\Tiger_ITINY_III\T2CI_Proto\PCB\History_T2CI_Proto.doc

# T2CI Prototyping Board



Wilke Technology Project:		T2CI Prototyping Board PC_Mode_Control	
Project No.:	PCB No.:	PCB05.0900.V1.1	Sheet 3 of 12
File: P:\Tiger_2\TINY_2\T2CI_Proto\PCB\PCB_Board_1\1\1\Protel_Source\T2CI_Prototyping_V1_1.ddb - Documents\Bestueckung\B2\TT2P_PC_Mode_IC.sch			
Date:	Revision:	Designer:	Release of PCB for Prototype   pilot series   series
01.Sep.2005	V1.0	A. Küpper	Changes documented in:
			P:\Tiger_INTINY_II\T2CI_Proto\PCB\History_T2CI_Proto.doc

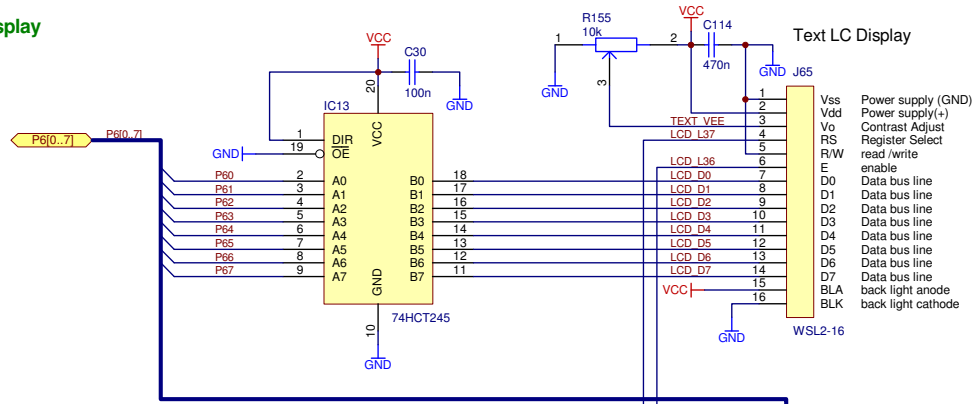
# T2CI Prototyping Board



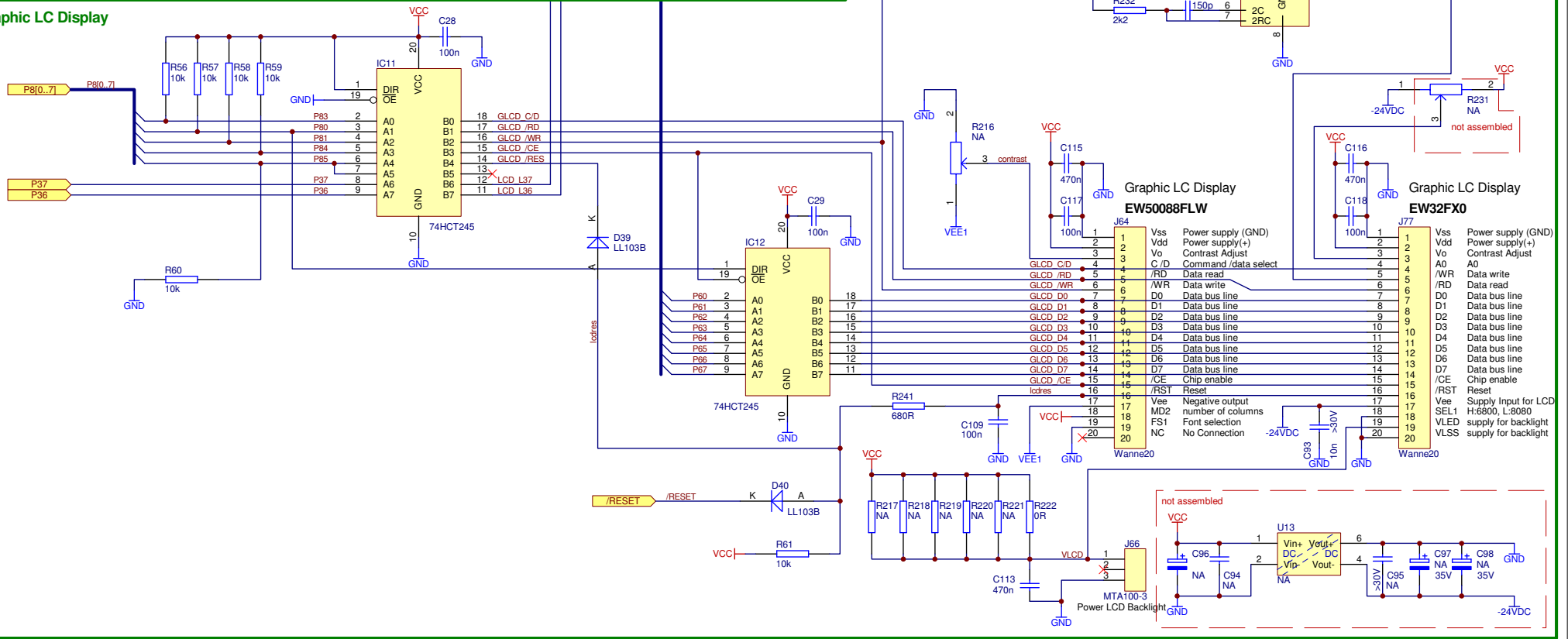
Wilke Technology		Project:		T2CI Prototyping Board Communication	
Project No.:	PCB No.:	PCB05.0900.V1.1	Sheet 4 of 12		
File: P:\Tiger_2\TINY_2\T2CI_Proto\PCB\PCB_Board_1\1\1\Protel_Source\T2CI_Prototyping_V1_1.ddb - Documents\Bestueckung\B2\T12P_Comm.sch					
Date:	Revision:	Designer:	Release of PCB for	Changes documented in:	
01.Sep.2005	V1.0	A. Küpper	Prototype   pilot series   series		
18.Okt.2005	V1.1	A. Küpper		P:\Tiger_IT\TINY_2\T2CI_Proto\PCB\History_T2CI_Proto.doc P:\Tiger_IT\TINY_2\T2CI_Proto\PCB\History_T2CI_Proto.doc	

# T2CI Prototyping Board

## Text LC Display

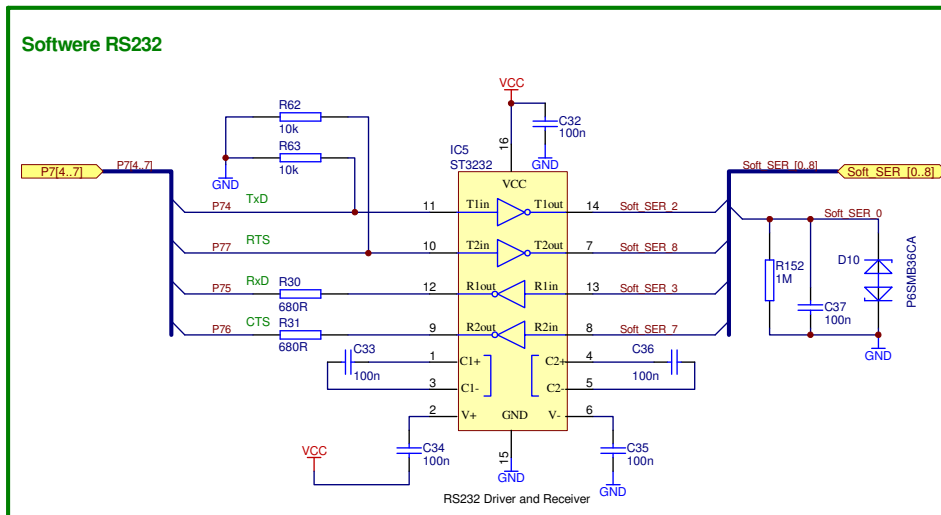
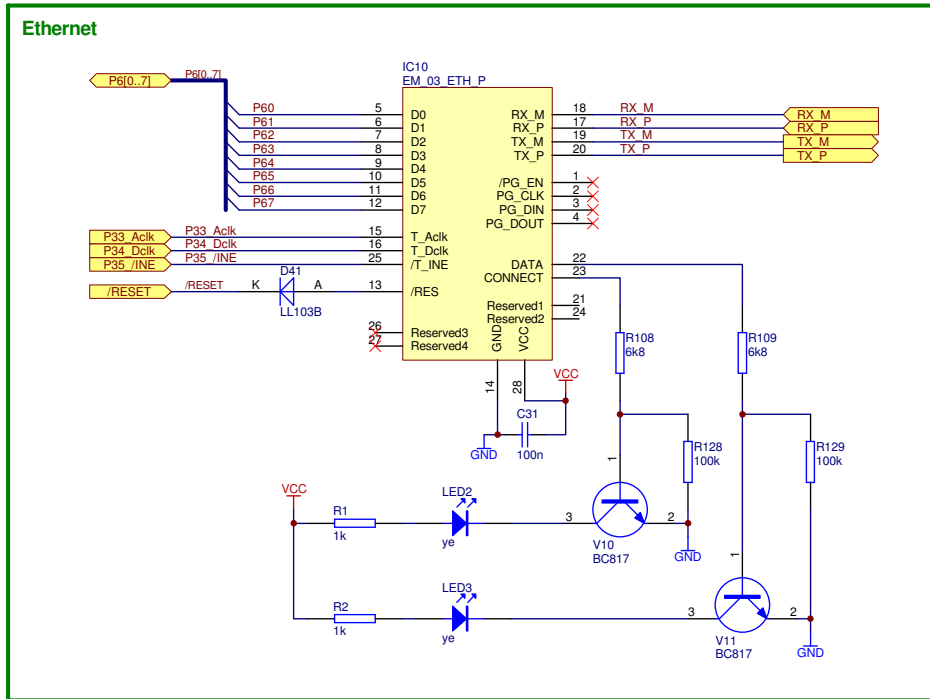


## Graphic LC Display



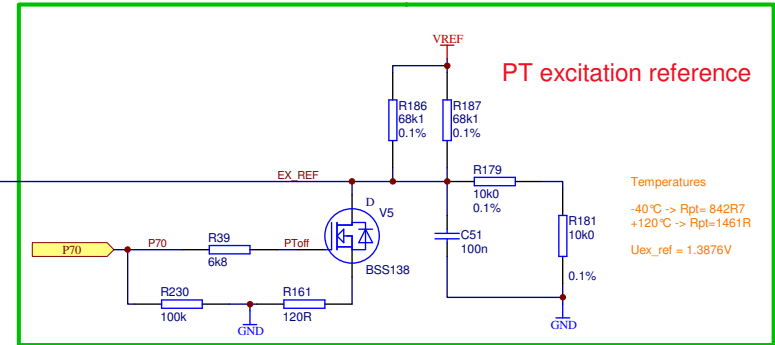
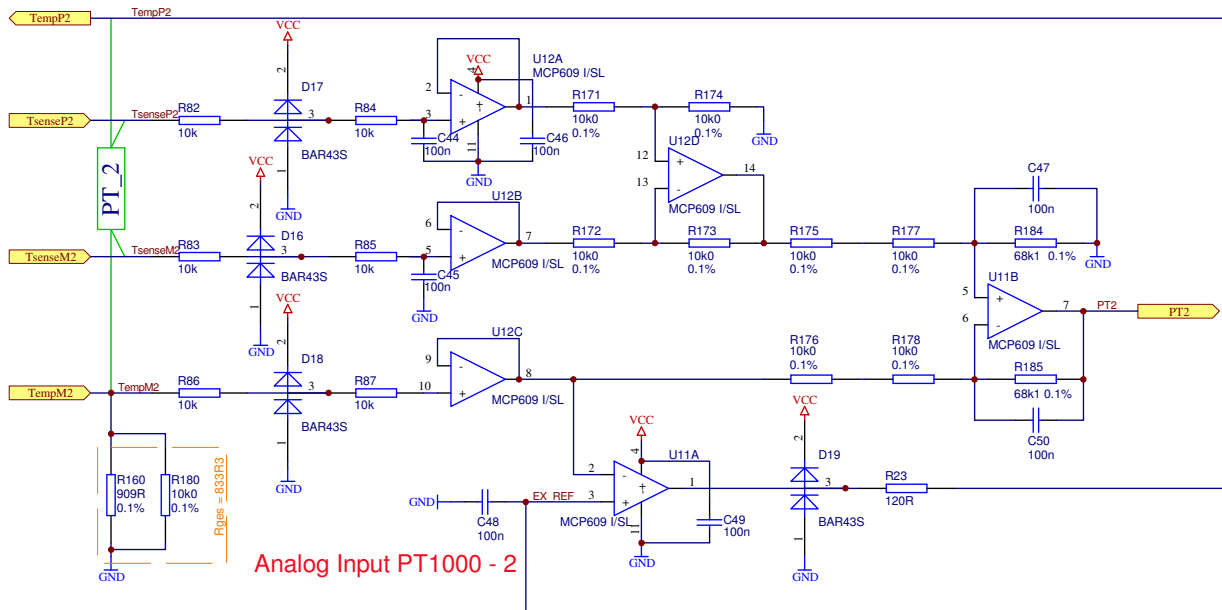
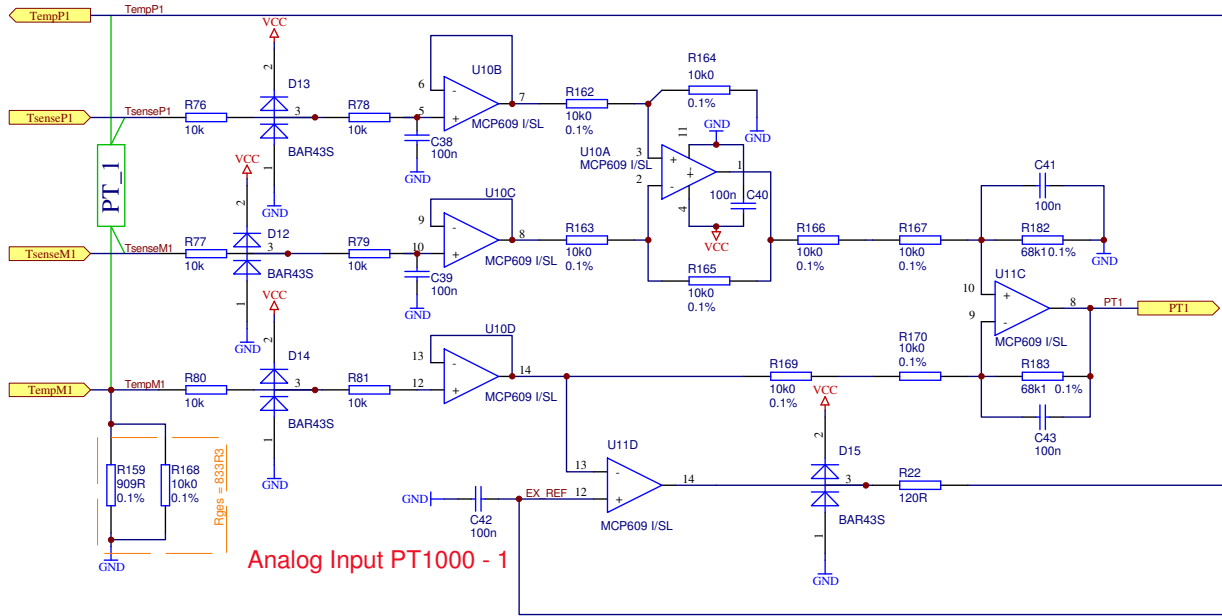
Wilke Technology Project:		T2CI Prototyping Board LCD	
Project No.:	PCB No.:	PCB05.0900.V1.1	Sheet 5 of 12
File: P:\Tiger_2\TINY_2\T2CI_Proto\PCB\PCB Board_1\1\1\Protel_Source\T2CI_Prototyping_V1_1.ddb - Documents\Bestueckung\B2\T2P_LCD.sch			
Date:	Revision:	Designer:	Release of PCB for Prototype   pilot series   series
01.Sep.2005	V1.0	A. Küpper	Changes documented in:
18.Okt.2005	V1.1	A. Küpper	P:\Tiger_IT\TINY_II\T2CI_TEST\PCB\HISTORY_T2CI_Testadapter.doc P:\Tiger_IT\TINY_II\T2CI_Proto\PCB\History_T2CI_Proto.doc

# T2CI Prototyping Board



Wilke Technology Project:		T2CI Prototyping Board Ethernet + Soft-Ser			
Project No.:	PCB No.: PCB05.0900.V1.1	Sheet 6 of 12			
Date:	File: P:\Tiger_2TINY_2T2CI_Proto\PCB\PCB_Board_1\1.1\Protel_Source\T2CI_Prototyping_V1_1.ddb - Documents\Bestueckung\B2\TT2P_Ethernet.sch				
Revision:	Designer:	Release of PCB for		Changes documented in:	
01.Sep.2005	V1.0	Prototype   pilot series   series			
18.Okt.2005	V1.1	A. Küpper			P:\Tiger_ILTINY_ILIT2CI_TEST\PCB\HISTORY_T2CI_Testadapter.doc
		A. Küpper			P:\Tiger_ILTINY_ILIT2CI_Proto\PCB\History_T2CI_Proto.doc

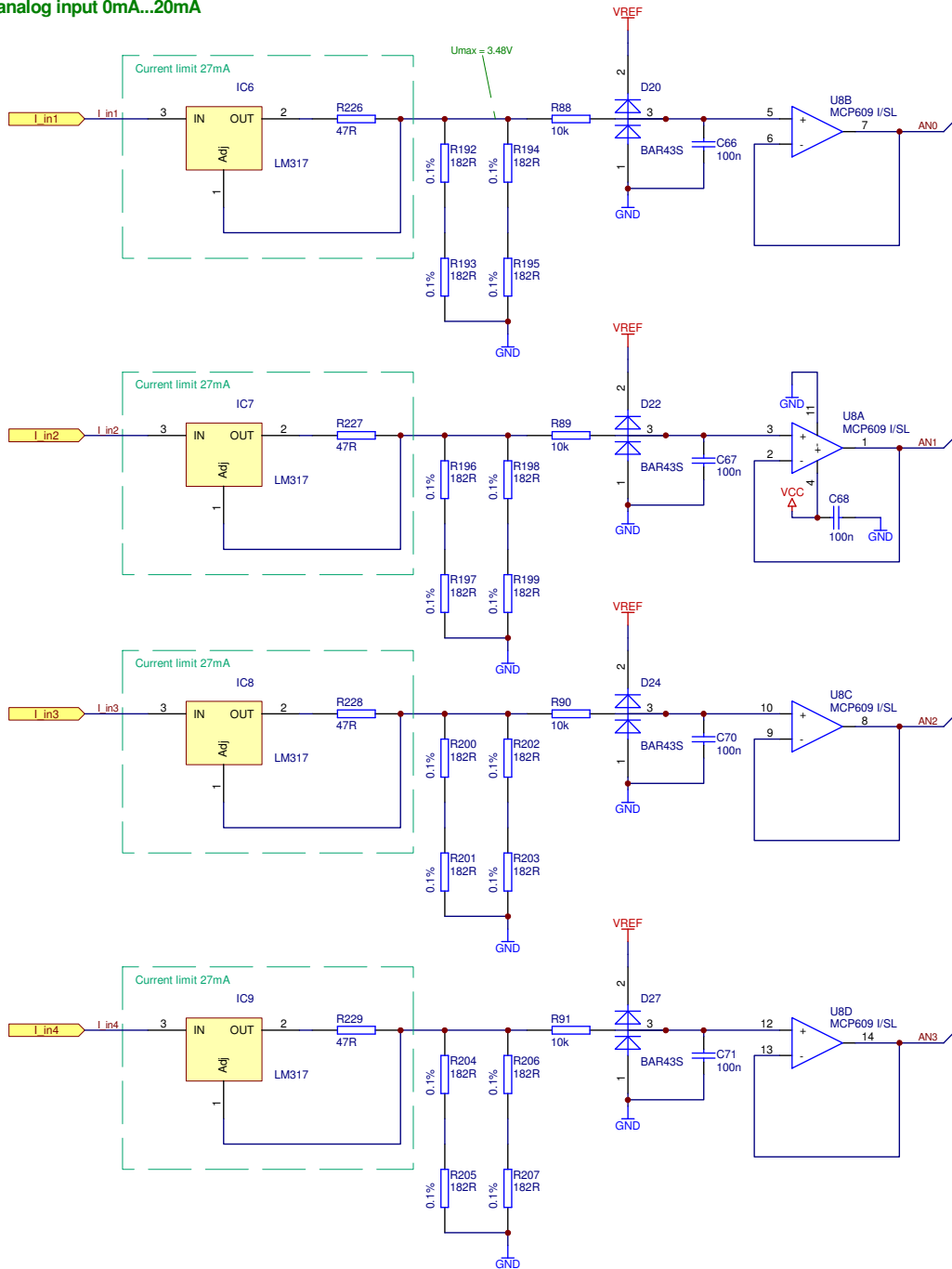
# T2CI Prototyping Board



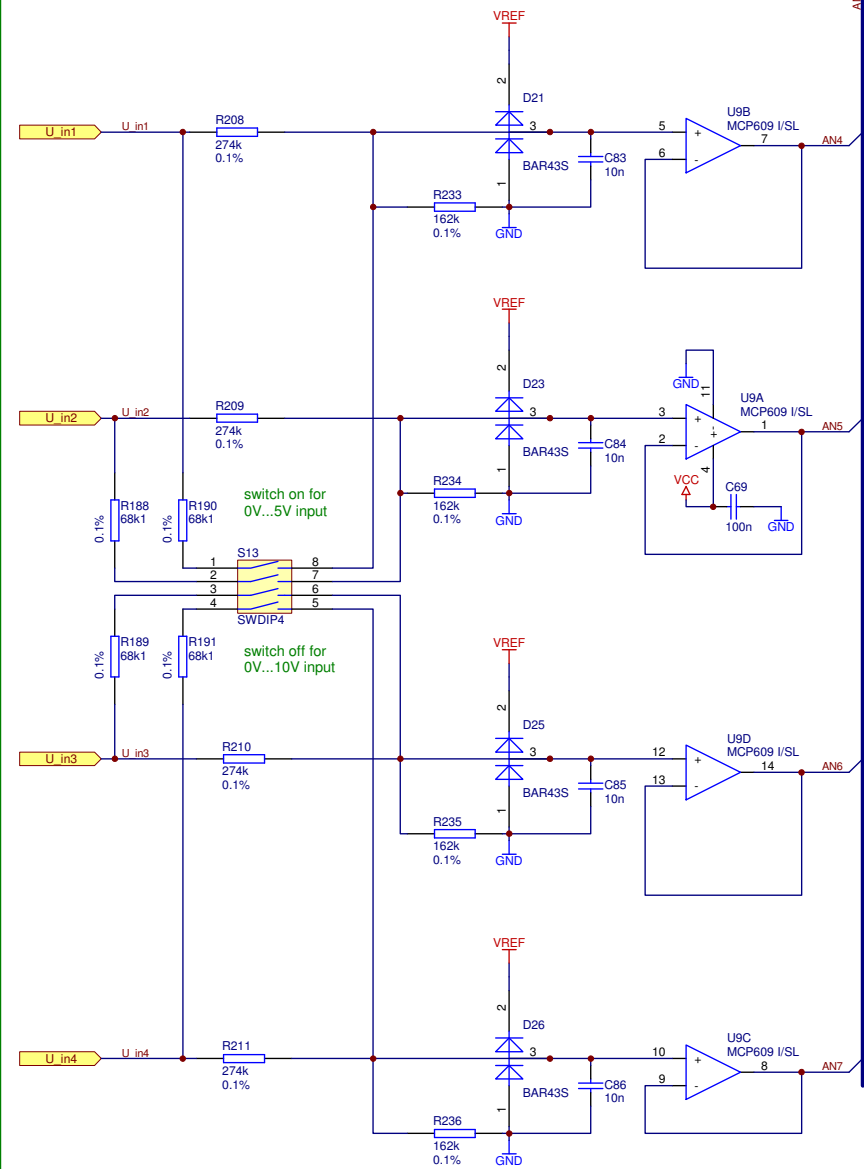
<b>Wilke Technology</b>		<b>Project:</b>		<b>T2CI Prototyping Board Temperature</b>	
<b>Project No.:</b>	PCB No.: PCB05.0900.V1.1			Sheet 7 of 12	
<b>Date:</b>	File: P:\Tiger_2\TINY_2\T2CI_Proto\PCB\PCB_Board_1\V1.1\Protel_Source\T2CI_Prototyping_V1.1.ddb - Documents\Bestueckung\B2\TT2P_Temperatur.sch				
<b>Revision:</b>	<b>Designer:</b>	<b>Release of PCB for</b>		<b>Changes documented in:</b>	
01.Sep.2005	V1.0	Prototype   pilot series   series		P:\Tiger_IL\TINY_IL\T2CI_Proto\PCB\History_T2CI_Proto.doc	
18.Okt.2005	V1.1	A. Küpper		P:\Tiger_IL\TINY_IL\T2CI_Proto\PCB\History_T2CI_Proto.doc	

# T2CI Prototyping Board

## analog input 0mA...20mA



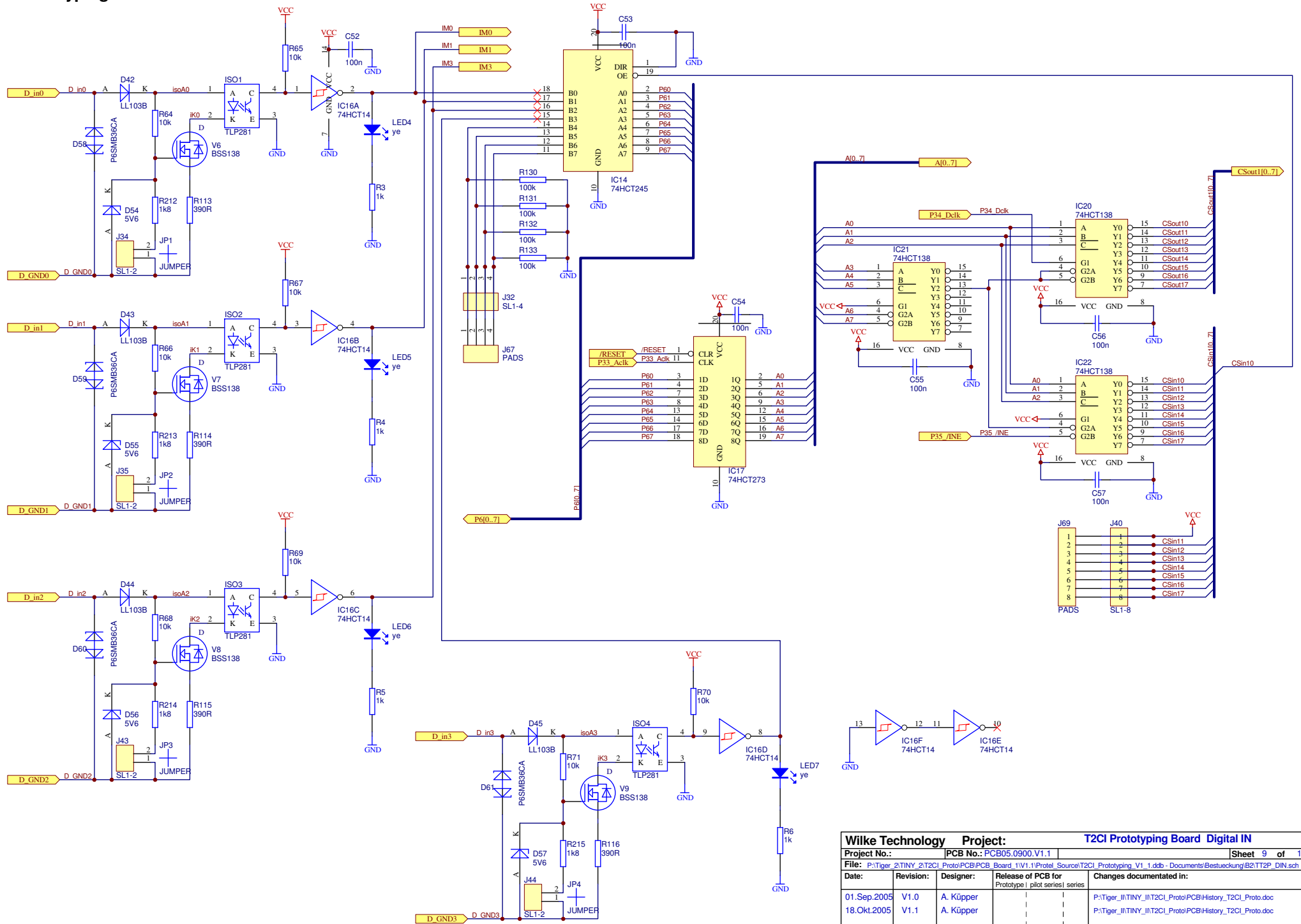
## analog input 0V...5V or 0V...10V



Wilke Technology		Project:		T2CI Prototyping Board Analog Inputs	
Project No.:	PCB No.:	PCB05.0900.V1.1		Sheet	8 of 12
File: P:\Tiger_2TINY_2T2CI_Proto\PCB\PCB_Board_1\V1.1\Protel_Source\T2CI_Prototyping_V1_1.ddb - Documents\Bestueckung\B2\TT2P_Analog.sch					
Date:	Revision:	Designer:	Release of PCB for	Changes documented in:	
01.Sep.2005	V1.0	A. Küpper	Prototype   pilot series   series		P:\Tiger_ILTINY_ILT2CI_Proto\PCB\History_T2CI_Proto.doc
18.Okt.2005	V1.1	A. Küpper			P:\Tiger_ILTINY_ILT2CI_Proto\PCB\History_T2CI_Proto.doc

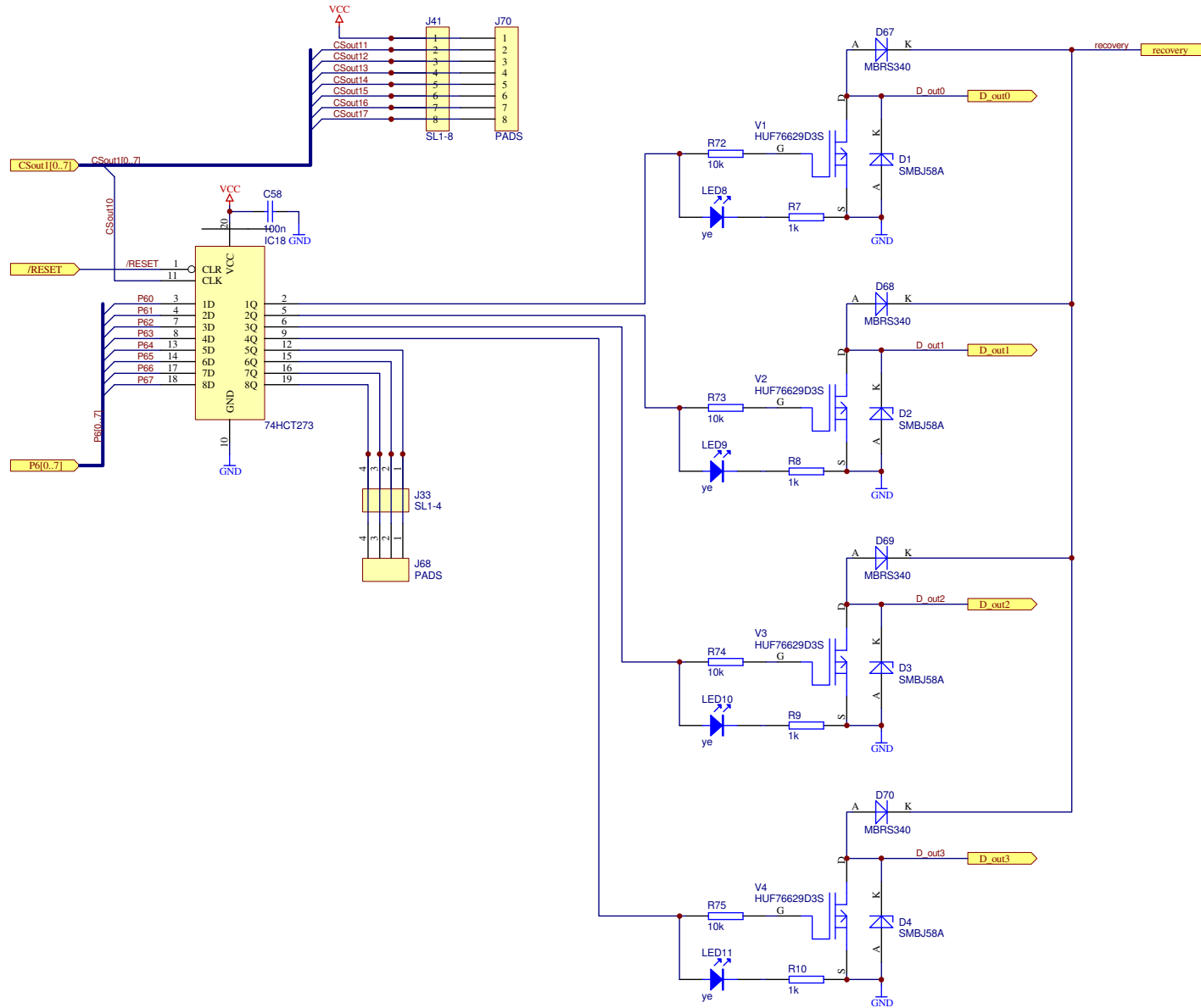


# T2CI Prototyping Board



Wilke Technology Project:		T2CI Prototyping Board Digital IN	
Project No.:	PCB No.:	PCB05.0900.V1.1	Sheet 9 of 12
File: P:\Tiger_2\TINY_2\T2CI_Proto\PCB\PCB_Board_1\V1.1\Protel_Source\T2CI_Prototyping_V1.1.ddb - Documents\Bestueckung\B2\TT2P_DIN.sch			
Date:	Revision:	Designer:	Release of PCB for
01.Sep.2005	V1.0	A. Küpper	Prototype   pilot series   series
18.Okt.2005	V1.1	A. Küpper	Changes documented in:
			P:\Tiger_INTINY_II\T2CI_Proto\PCB\History_T2CI_Proto.doc
			P:\Tiger_INTINY_II\T2CI_Proto\PCB\History_T2CI_Proto.doc

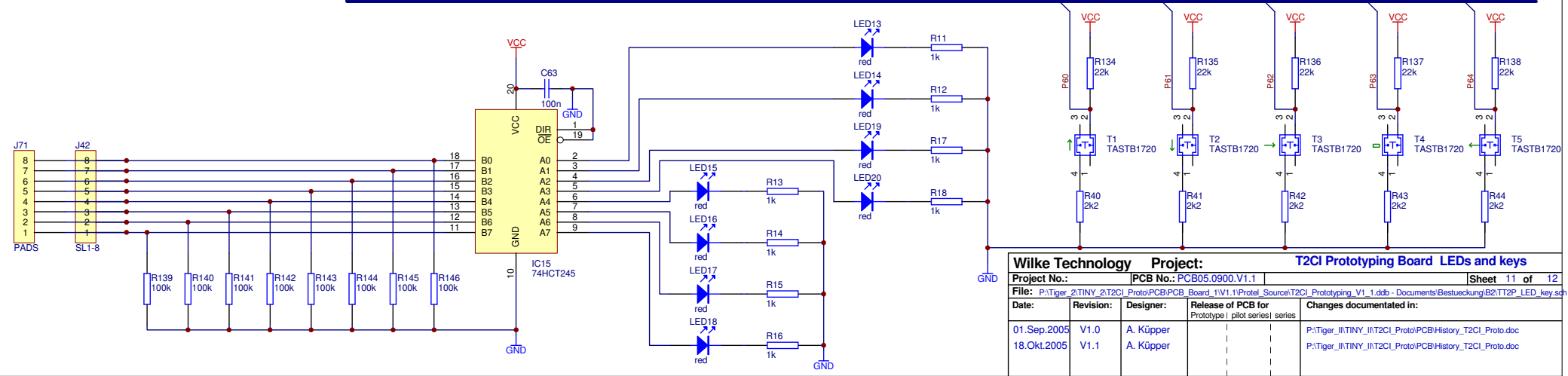
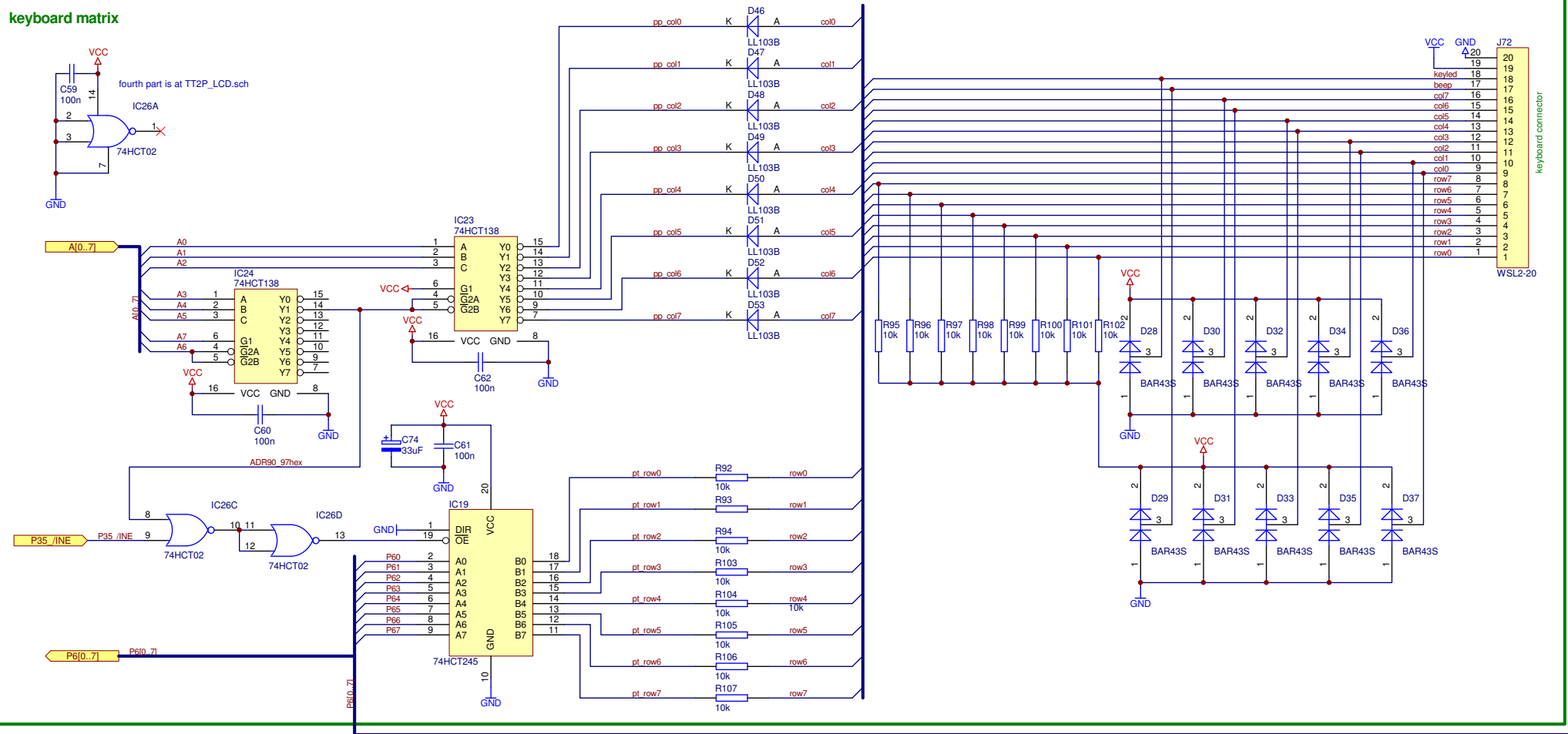
# T2CI Prototyping Board



Wilke Technology Project:		T2CI Prototyping Board Digital OUT			
Project No.:	PCB No.:	PCB05.0900.V1.1	Sheet 10 of 12		
File: P:\Tiger_2\TINY_2\T2CI_Proto\PCB\PCB_Board_1\1\1\Protel_Source\T2CI_Prototyping_V1_1.ddb - Documents\Bestueckung\B2\TT2P_DOUT.sch					
Date:	Revision:	Designer:	Release of PCB for Prototype   pilot series   series		
01.Sep.2005	V1.0	A. Küpper			P:\Tiger_IL\TINY_IL\T2CI_Proto\PCB\History_T2CI_Proto.doc
18.Okt.2005	V1.1	A. Küpper			P:\Tiger_IL\TINY_IL\T2CI_Proto\PCB\History_T2CI_Proto.doc

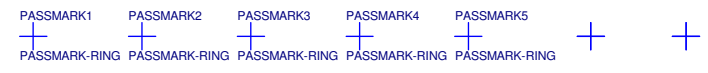
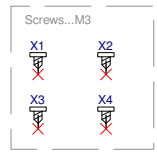
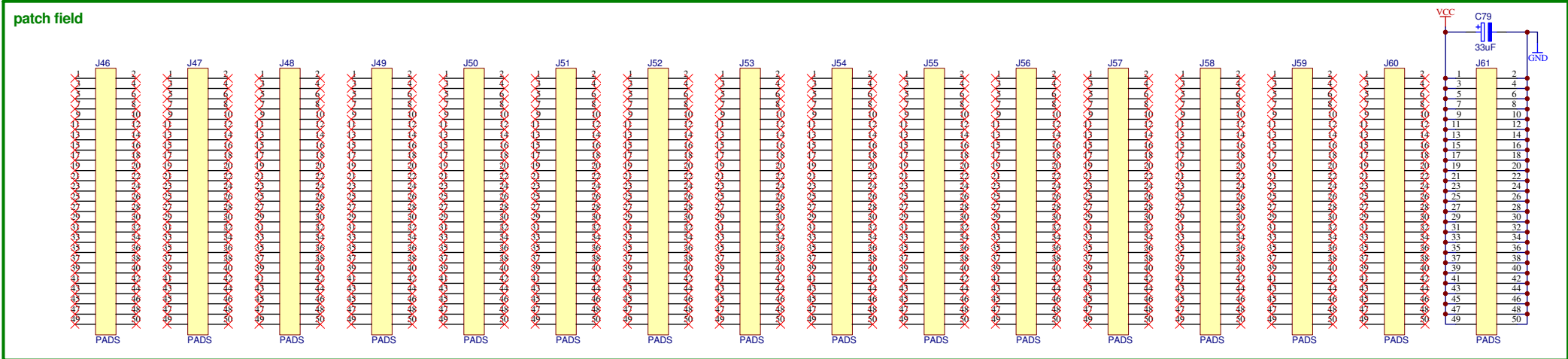
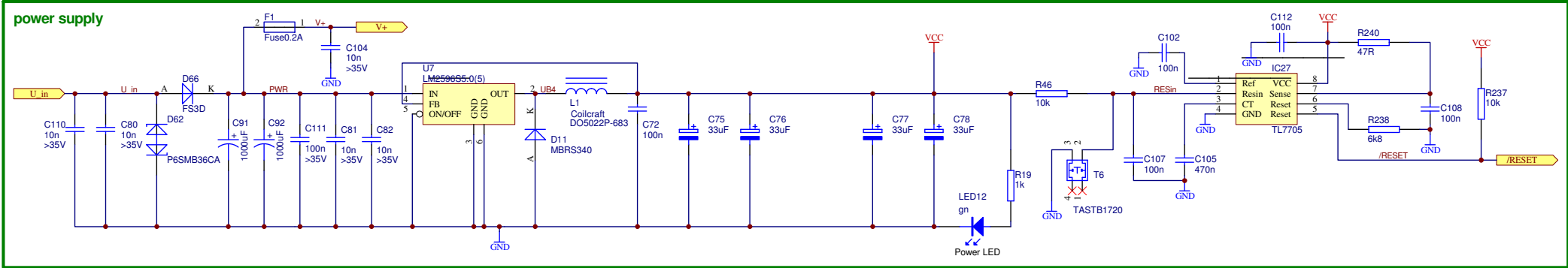
# T2CI Prototyping Board

## keyboard matrix



Wilke Technology Project:		T2CI Prototyping Board LEDs and keys	
Project No.:	PCB No.: PCB05.0900.V1.1	Sheet 11 of 12	
File: P:\Tiger_2\TINY_2\T2CI_Proto\PCB\PCB Board_1\1.1\Protel_Source\T2CI_Prototyping_V1_1.ddb - Documents\Bestueckung\B2\T2P_LED_key.sch			
Date:	Revision:	Designer:	Release of PCB for Prototype   pilot series   series
01.Sep.2005	V1.0	A. Küpper	Changes documented in:
18.Okt.2005	V1.1	A. Küpper	P:\Tiger_2\TINY_2\T2CI_Proto\PCB\History_T2CI_Proto.doc
			P:\Tiger_2\TINY_2\T2CI_Proto\PCB\History_T2CI_Proto.doc

# T2CI Prototyping Board



Wilke Technology Project:		T2CI Prototyping Board Power	
Project No.:	PCB No.:	PCB05.0900.V1.1	Sheet 12 of 12
File: P:\Tiger_2\TINY_2\T2CI_Proto\PCB\PCB_Board_1\1.1\Protel_Source\T2CI_Prototyping_V1_1.ddb - Documents\Bestueckung\B2\T2P_Power.sch			
Date:	Revision:	Designer:	Release of PCB for
01.Sep.2005	V1.0	A. Küpper	Prototype   pilot series   series
18.Okt.2005	V1.1	A. Küpper	Changes documented in:
			P:\Tiger_IL\TINY_IL\T2CI_TEST\PCB\HISTORY_T2CI_Testadapter.doc
			P:\Tiger_IL\TINY_IL\T2CI_Proto\PCB\History_T2CI_Proto.doc