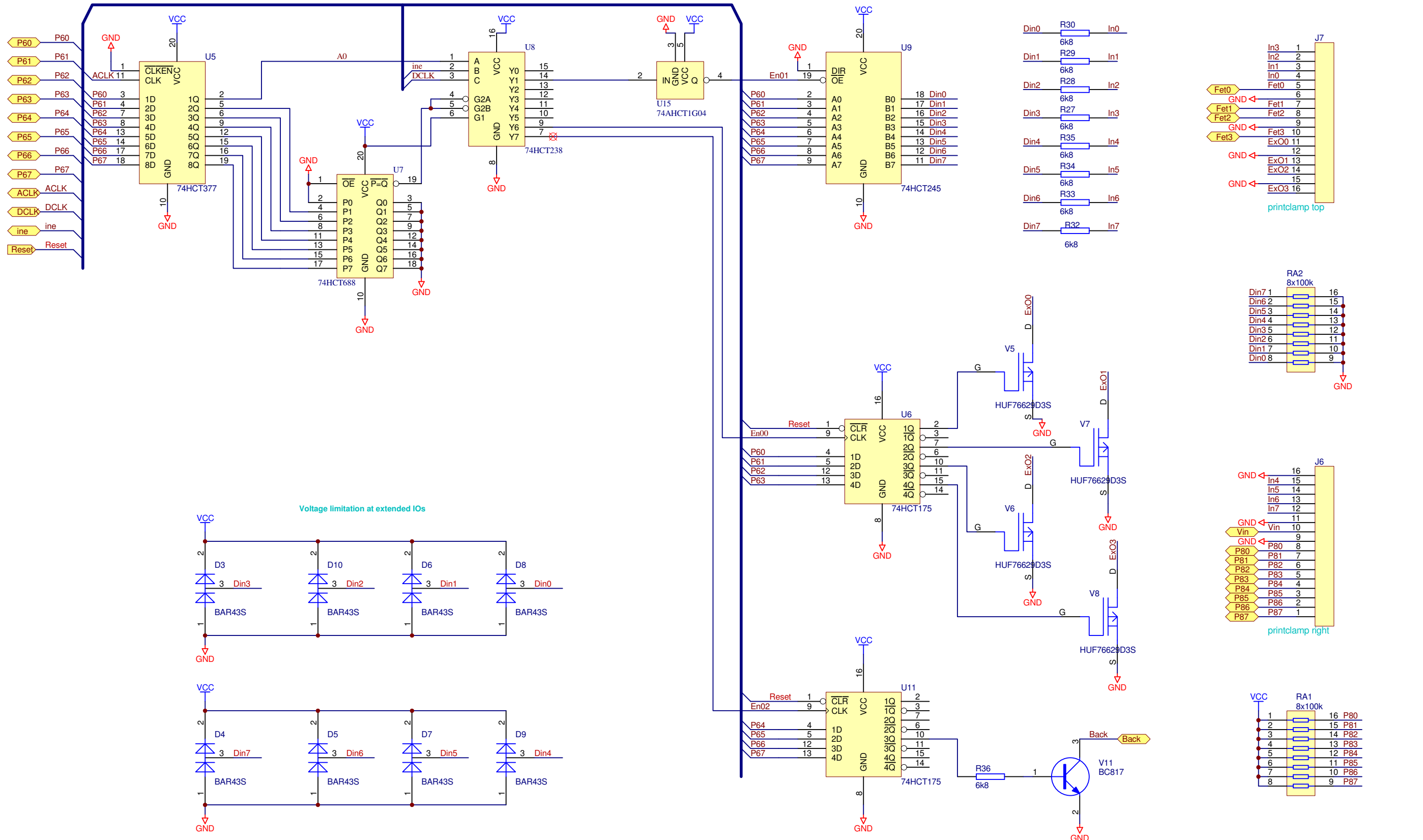
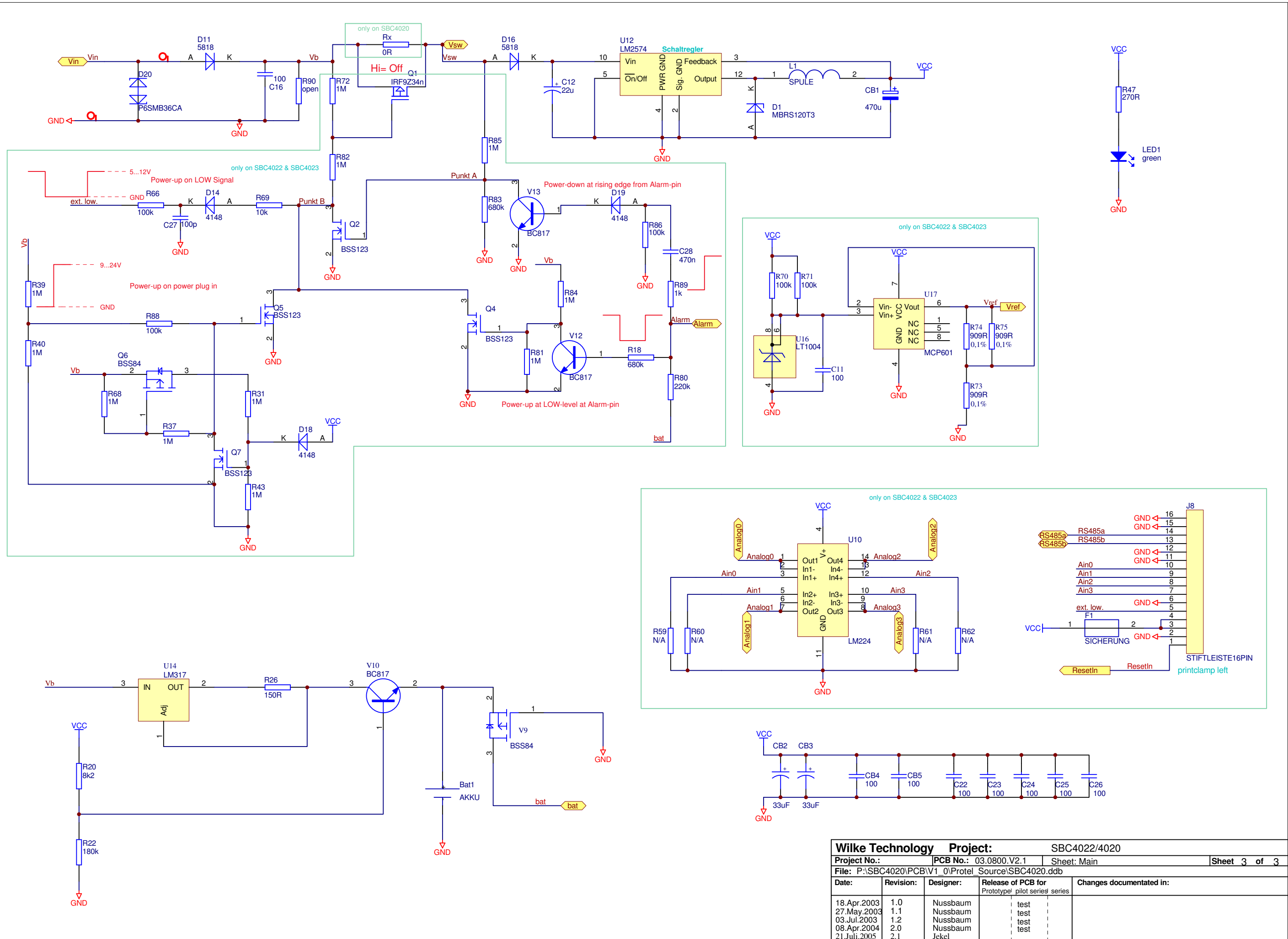


Wilke Technology Project:		SBC4022/4020	
Project No.:	PCB No.: 03.0800.V2.1	Sheet: Main	Sheet 1 of 3
File: P:\SBC4020\PCB\V1_0\Protel_Source\SBC4020.ddb			
Date:	Revision:	Designer:	Release of PCB for
18.Apr.2003	1.0	Nussbaum	Prototype pilot series series
27.May.2003	1.1	Nussbaum	test
03.Jul.2003	1.2	Nussbaum	test
08.Apr.2004	2.0	Nussbaum	test
21.Juli.2005	2.1	Jekel	
Changes documented in:			



Voltage limitation at extended IOs

Wilke Technology Project:		SBC4022/4020	
Project No.:	PCB No.: 03.0800.V2.1	Sheet: Main	Sheet 2 of 3
File: P:\SBC4020\PCB\V1_0\Protel_Source\SBC4020.ddb			
Date:	Revision:	Designer:	Release of PCB for
18.Apr.2003	1.0	Nussbaum	Prototype pilot series series
27.May.2003	1.1	Nussbaum	test
03.Jul.2003	1.2	Nussbaum	test
08.Apr.2004	2.0	Nussbaum	test
21.Juli.2005	2.1	Jekel	
Changes documented in:			



Wilke Technology Project:		SBC4022/4020	
Project No.:	PCB No.: 03.0800.V2.1	Sheet: Main	Sheet 3 of 3
File: P:\SBC4020\PCB\V1_0\Protel_Source\SBC4020.ddb			
Date:	Revision:	Designer:	Release of PCB for
18.Apr.2003	1.0	Nussbaum	Prototype/ pilot series/ series
27.May.2003	1.1	Nussbaum	test
03.Jul.2003	1.2	Nussbaum	test
08.Apr.2004	2.0	Nussbaum	test
21.Juli.2005	2.1	Jekel	
Changes documented in:			