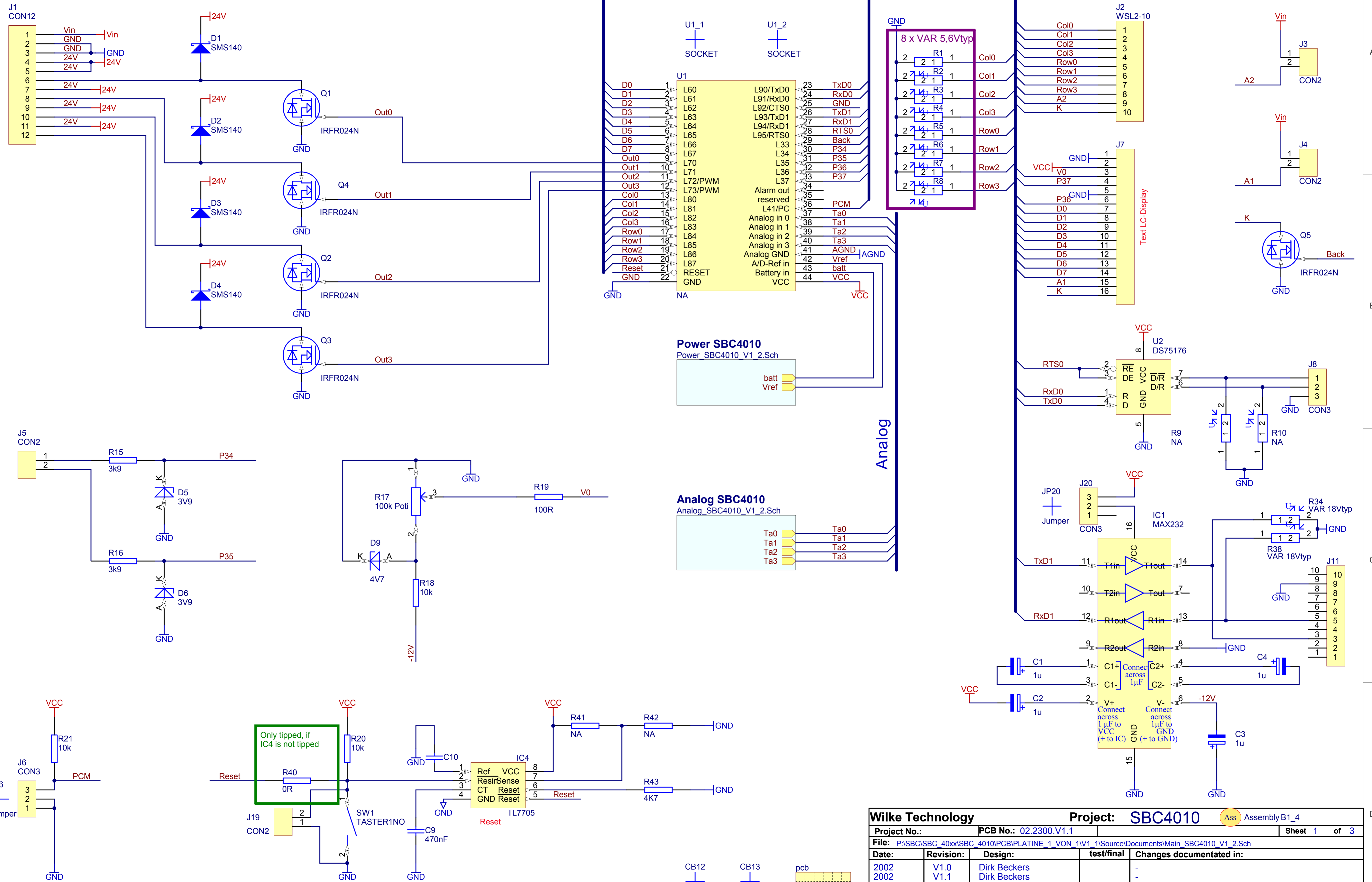
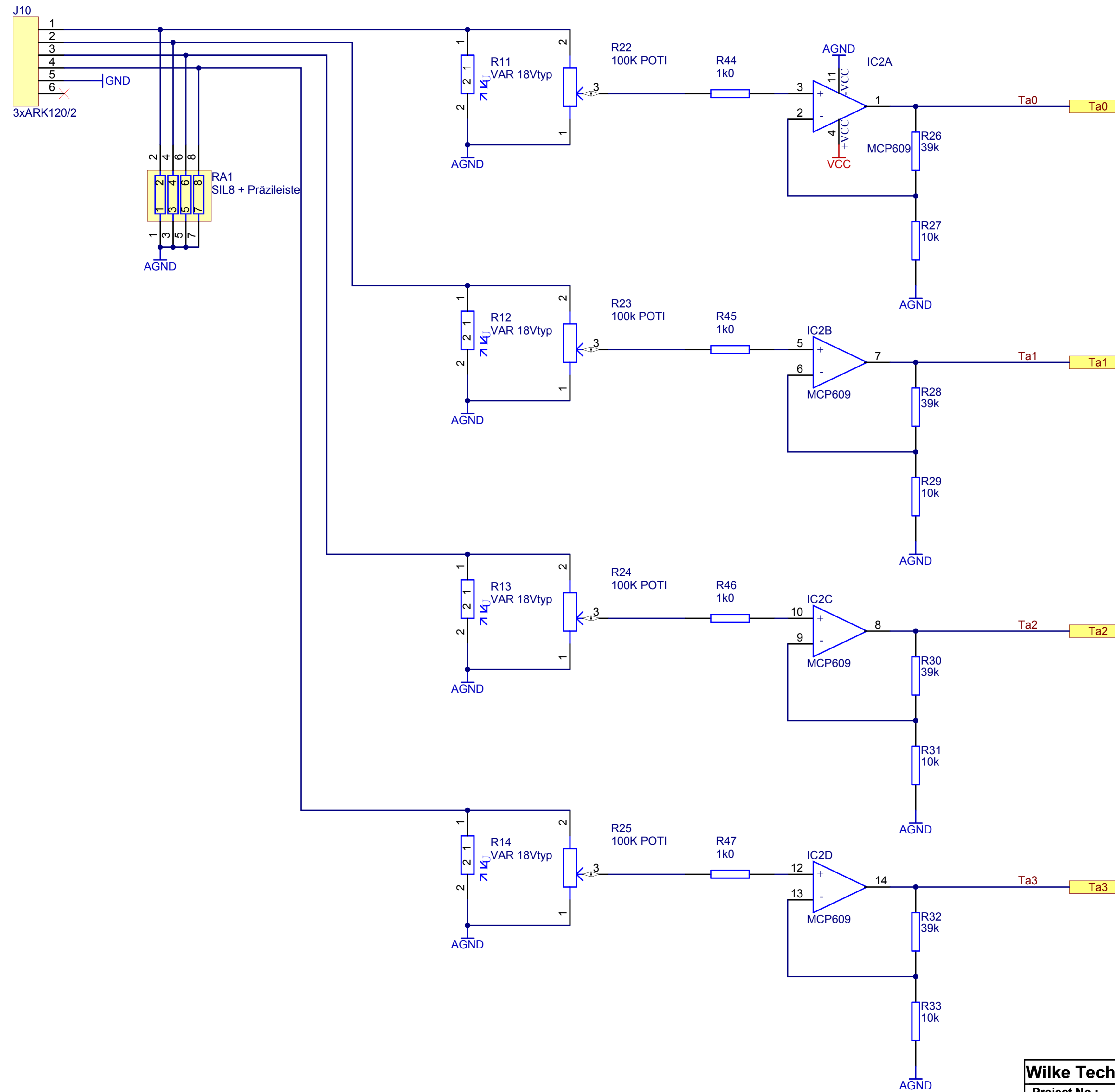


# SBC4010



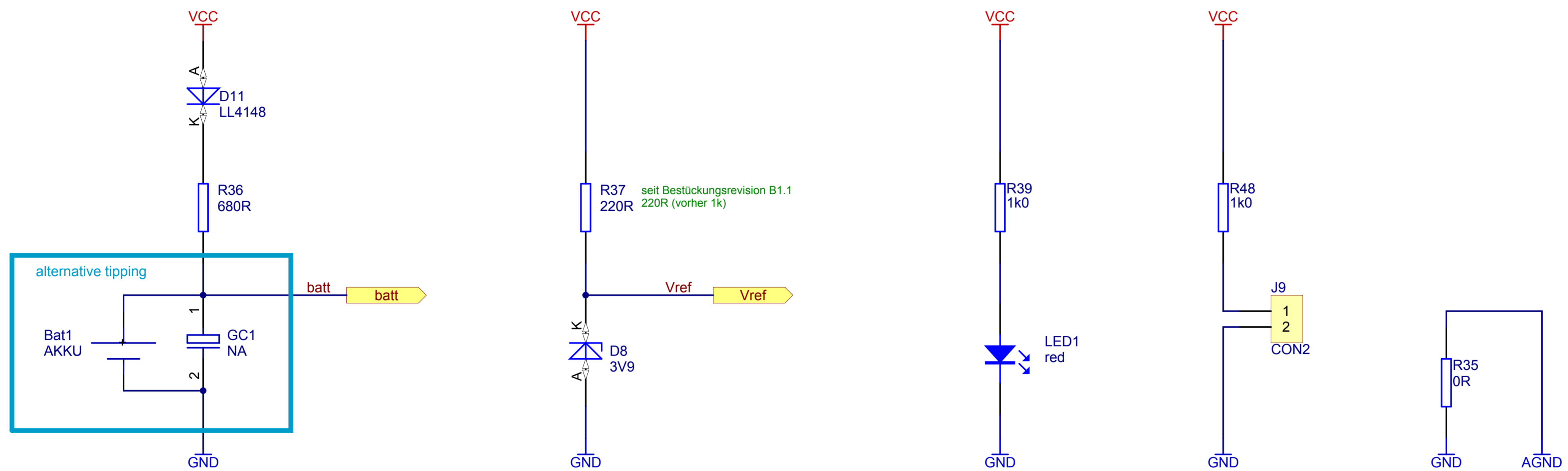
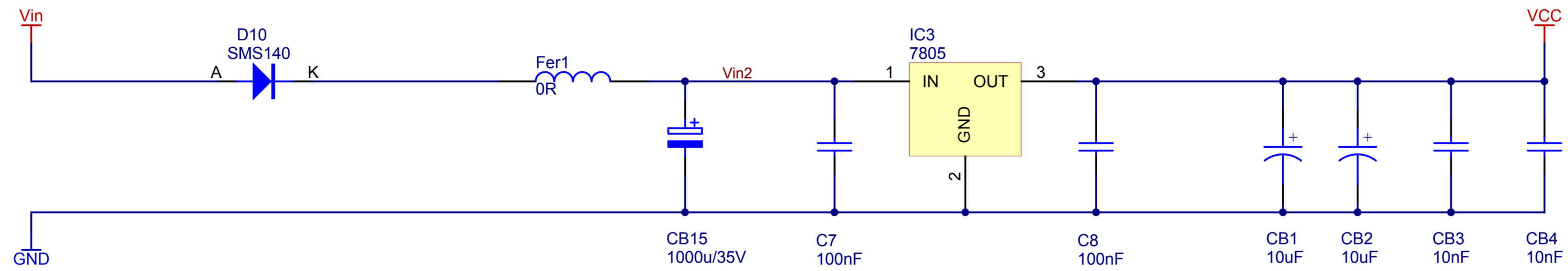
<b>Wilke Technology</b>		<b>Project: SBC4010</b>		Ass	Assembly B1_4
Project No.: 02.2300.V1.1		PCB No.: 02.2300.V1.1		Sheet 1 of 3	
File: P:\SBC\SBC_40x1\SBC_4010\PCB\PLATINE_1_VON_1V1_1\Source\Documents\Main_SBC4010_V1_2.Sch					
Date:	Revision:	Design:	test/final	Changes documented in:	
2002	V1.0	Dirk Beckers		-	
2002	V1.1	Dirk Beckers		-	
23.Aug.2004	V1.2	Andreas Küpper		P:\SBC\SBC_4010\PCB\History_SBC4010.doc	

# Analog SBC4010



<b>Wilke Technology</b>		<b>Project: SBC4010</b>	
Project No.:		PCB No.: 02.2300.V1.1	Sheet 2 of 3
File: P:\SBC\SBC_40xx\SBC_4010\PCB\PLATINE_1_VON_1V1_1\Source\Documents\Analog_SBC4010_V1_2.Sch			
Date:	Revision:	Design:	test/final
2002	V1.0	Dirk Beckers	-
2002	V1.1	Dirk Beckers	-
23.Aug.2004	V1.2	Andreas Küpper	-
Changes documented in:			P:\SBC\SBC_4010\PCB\History_SBC4010.doc

# Power SBC4010



<b>Wilke Technology</b>		<b>Project: SBC4010</b>	
<b>Project No.:</b>		<b>PCB No.:</b> 02.2300.V1.1	
<b>File:</b> P:\SBC\SBC_40xx\SBC_4010\PCB\PLATINE_1_VON_1\1\Source\Documents\Power_SBC4010_V1_2.Sch		Sheet 3 of 3	
<b>Date:</b>	<b>Revision:</b>	<b>Design:</b>	<b>test/final</b>
2002	V1.0	Dirk Beckers	-
2002	V1.1	Dirk Beckers	-
23.Aug.2004	V1.2	Andreas Küpper	-
<b>Changes documented in:</b>			P:\SBC\SBC_4010\PCB\History_SBC4010.doc