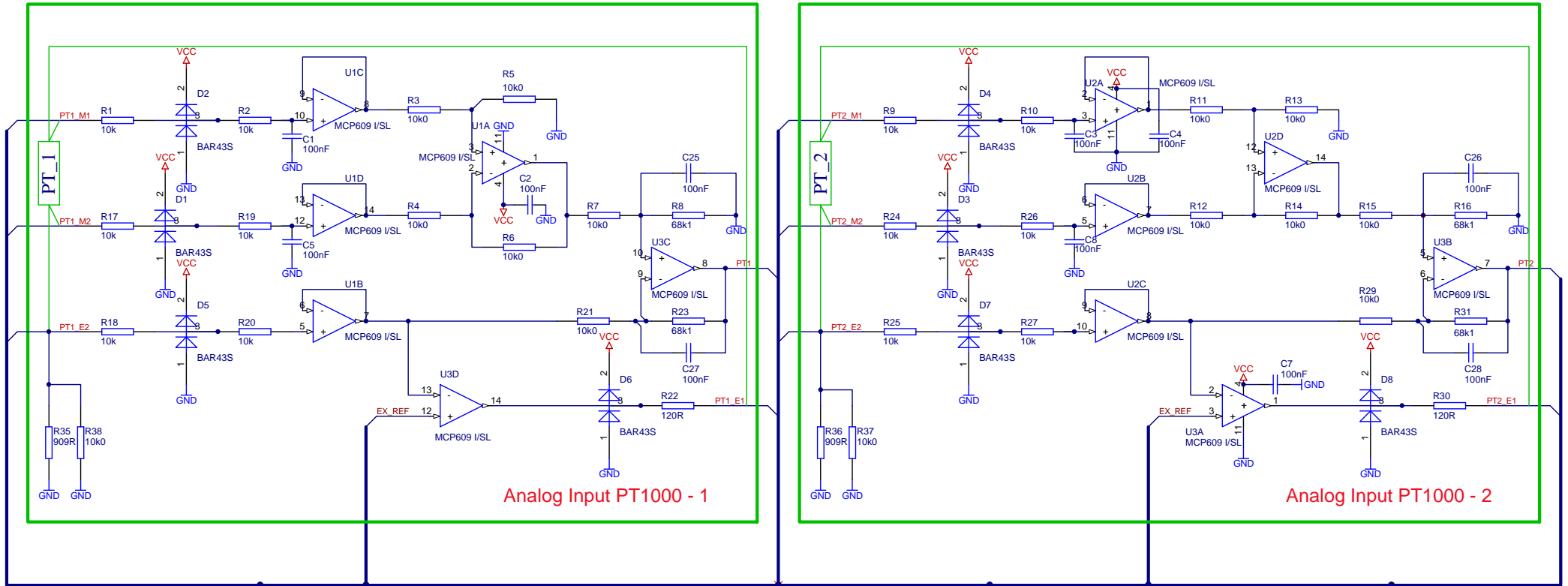
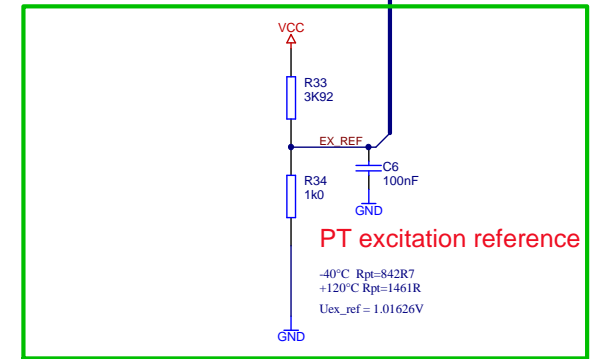


# SBC 3060



Analog Input PT1000 - 1

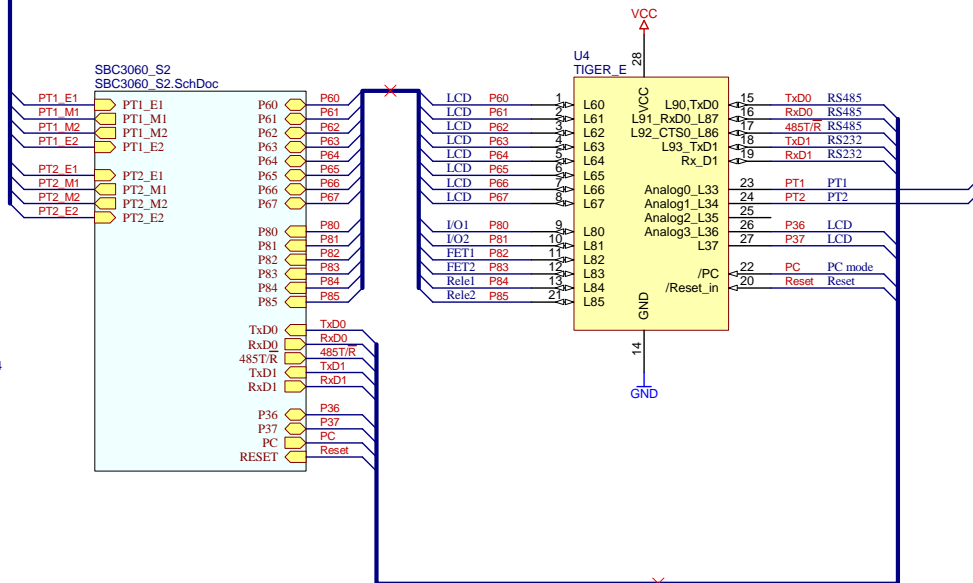
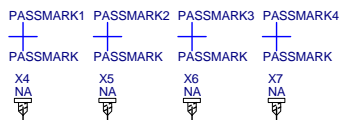
Analog Input PT1000 - 2



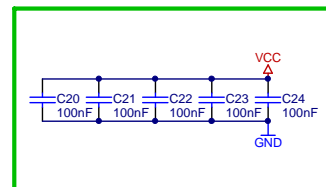
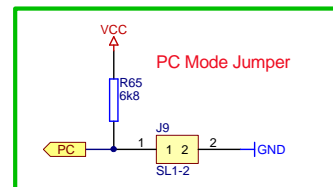
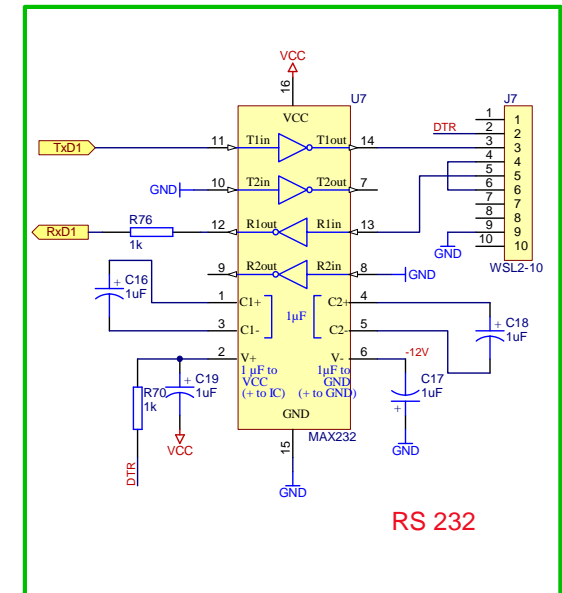
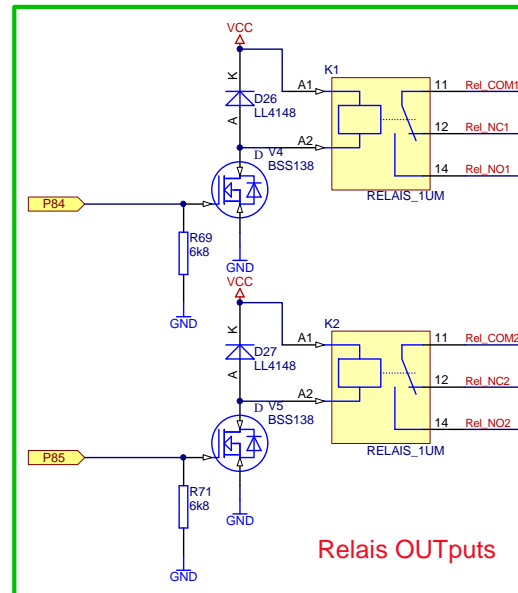
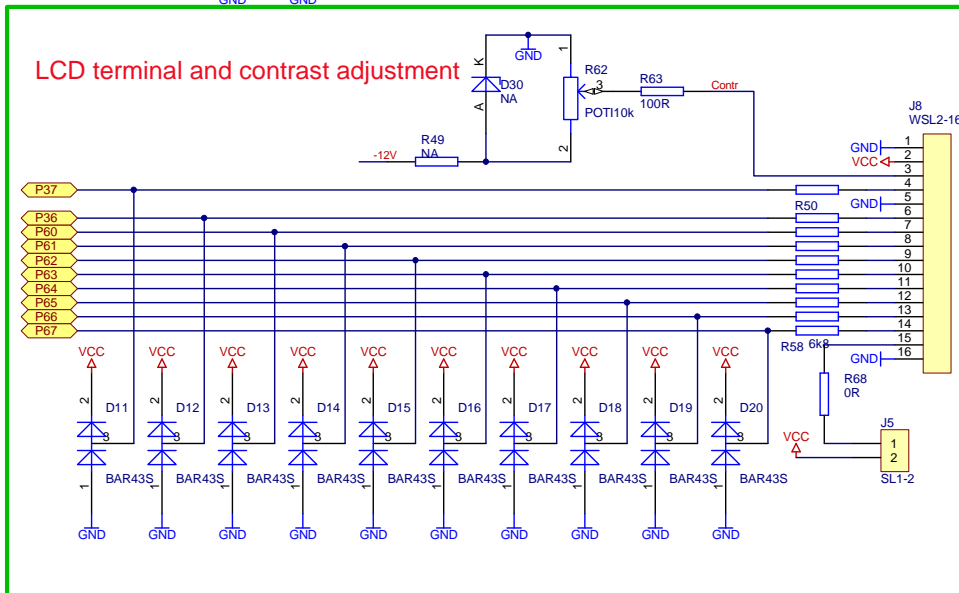
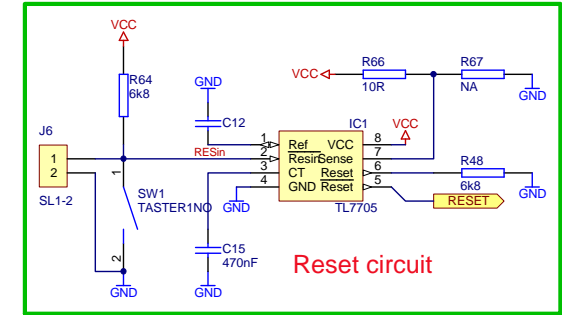
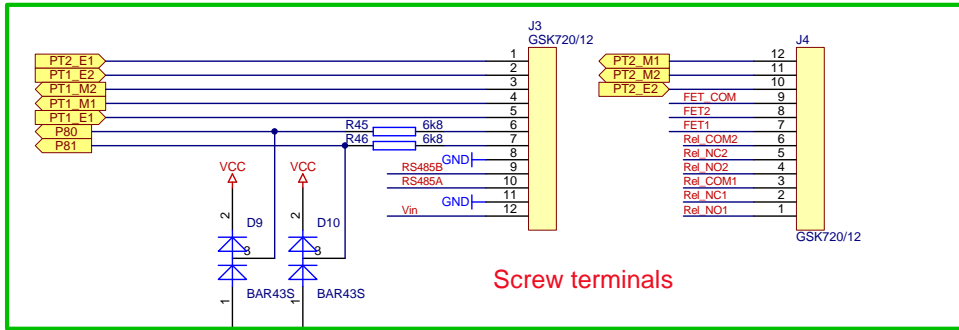
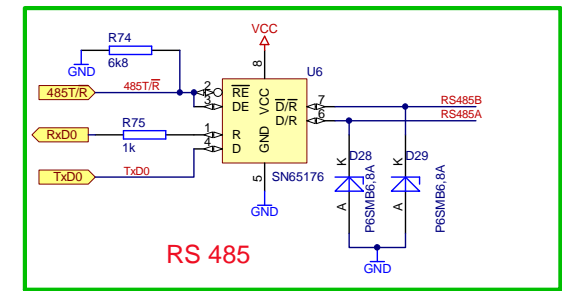
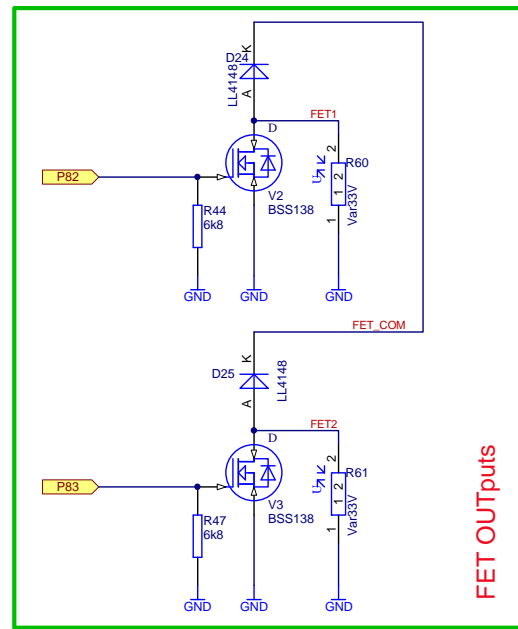
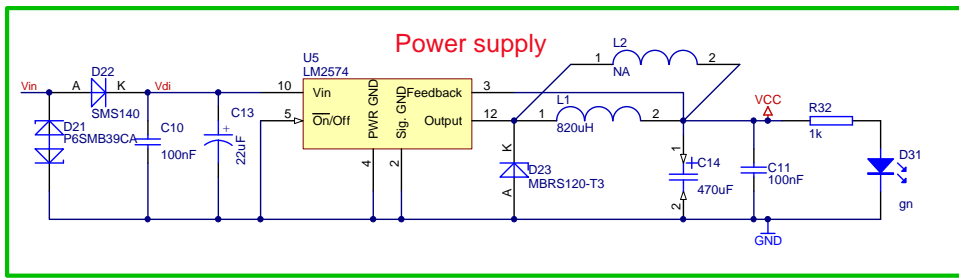
PT excitation reference

-40°C R<sub>pt</sub>=842R7  
+120°C R<sub>pt</sub>=1461R  
U<sub>ex\_ref</sub> = 1.01626V

## Mechanical Components



<b>Wilke Technology Project: SBC 3060</b>				
Project No.: SBC3060_S1.SchDoc		PCB No.: 04.1700.V1.1		B1_0
Sheet 1 of 2				
Date:	Revision:	Designer:	Release of PCB for Prototype: pilot series; series	Changes documented in:
01. Apr. 2005	V1.0	Dimitar Georgiev	x	P:\SBC\SBC_30xx\SBC_3060\PCB\History_SBC3060.doc
16. Apr. 2005	V1.0	Andreas Kupper	x	P:\SBC\SBC_30xx\SBC_3060\PCB\History_SBC3060.doc
14. Jun. 2007	V1.1	Manuel Dicke	x	P:\SBC\SBC_30xx\SBC_3060\PCB\History_SBC3060.doc



<b>Wilke Technology Project: SBC 3060</b>				
Project No.:		PCB No.: 04.1700.V1.0		Sheet 1 of 2
File: SBC3060_S2_Sch.Doc				
Date:	Revision:	Designer:	Release of PCB for Prototype: pilot series:	Changes documented in:
01. Apr. 2005	V1.0	Dimitar Georgiev	x	P:\SBC\SBC_30xx\SBC_3060\PCB\History_SBC3060.doc
16. Apr. 2005	V1.0	Andreas Kupper	x	P:\SBC\SBC_30xx\SBC_3060\PCB\History_SBC3060.doc
14. Jun. 2007	V1.1	Manuel Dicke	x	P:\SBC\SBC_30xx\SBC_3060\PCB\History_SBC3060.doc