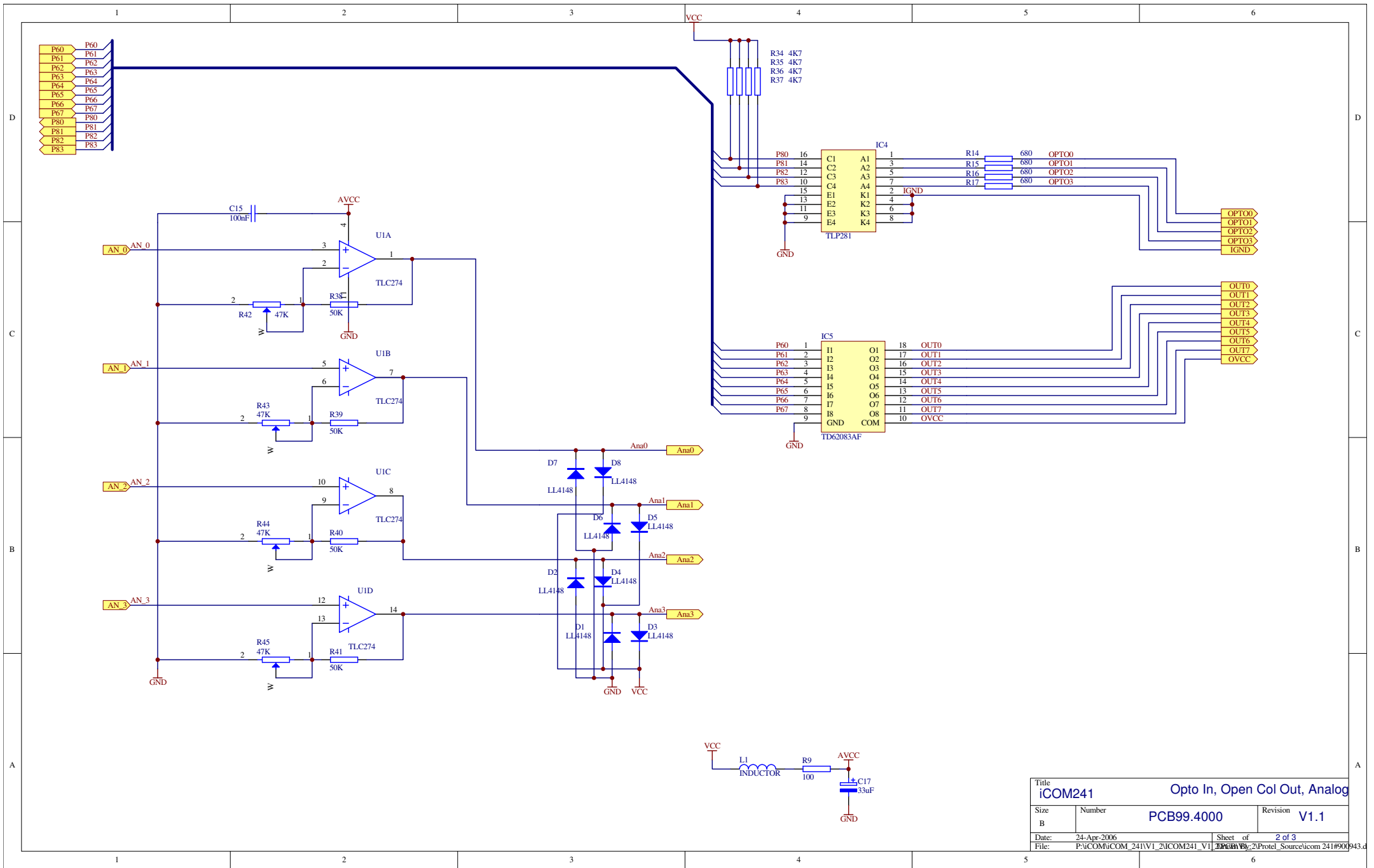
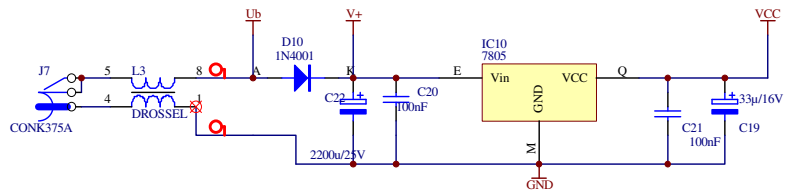


Title			iCOM241		
Size	Number	Revision			
B	PCB99.4000	V1.1			
Date:	24-Apr-2006	Sheet of 1 of 3			
File:	P:\iCOM\iCOM_241\I_V1_2\PCB99.4000\2\Protel_Source\icom 241#900				



Title		iCOM241		Opto In, Open Col Out, Analog	
Size	Number	PCB99.4000		Revision V1.1	
Date:	24-Apr-2006	Sheet of 2 of 3			
File:	P:\COM\iCOM_241\1_V1_2\iCOM241_V1_2\PCB\WB_2\Protel_Source\iCOM 241#900943.d				



Title		iCOM241		Power Supply	
Size	Number	PCB99.4000		Revision	V1.1
B					
Date:	24-Apr-2006	Sheet of	MD		
File:	P:\iCOM\iCOM_241\I1_2\iCOM241_V1_1.dwg		By:	2	Protel_Source\3 of 3241#900943.d