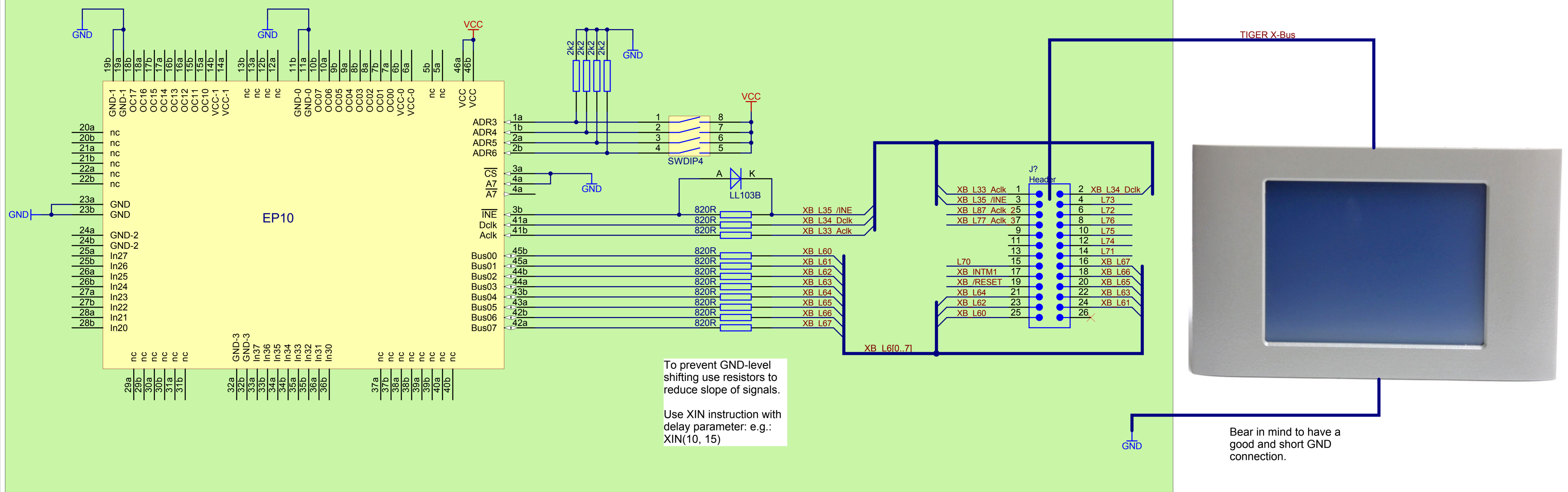


User Application



Wilke Technology Project: Connecting EP-Modules to TP1000					
Project No.:		PCB No.:		Sheet of	
File:					
Date:	Revision:	Designer:	Release of PCB for Prototype: pilot series' series	Changes documented in:	
06.05.2008	V1.0	A. Küpper	A.K.		