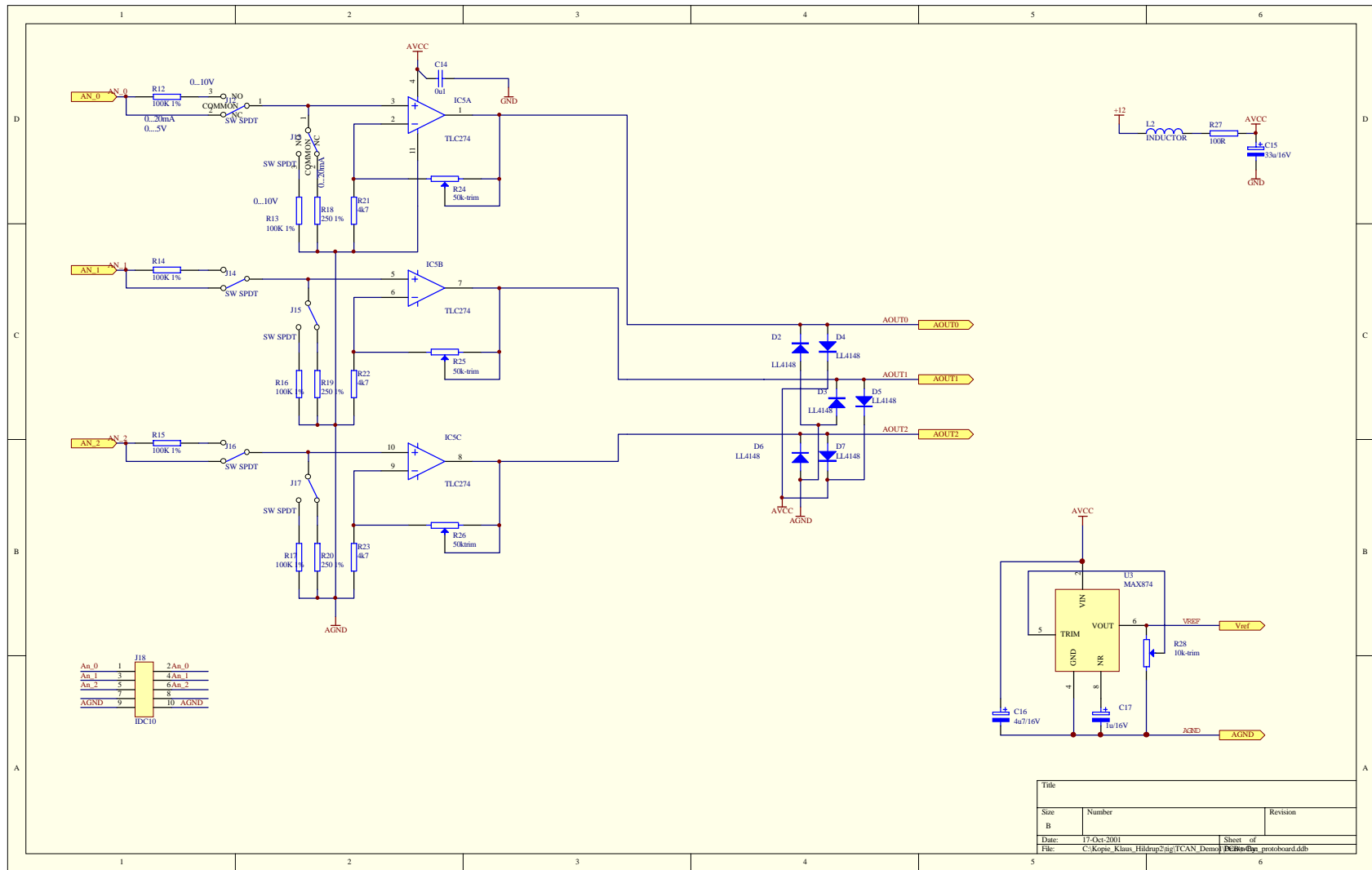


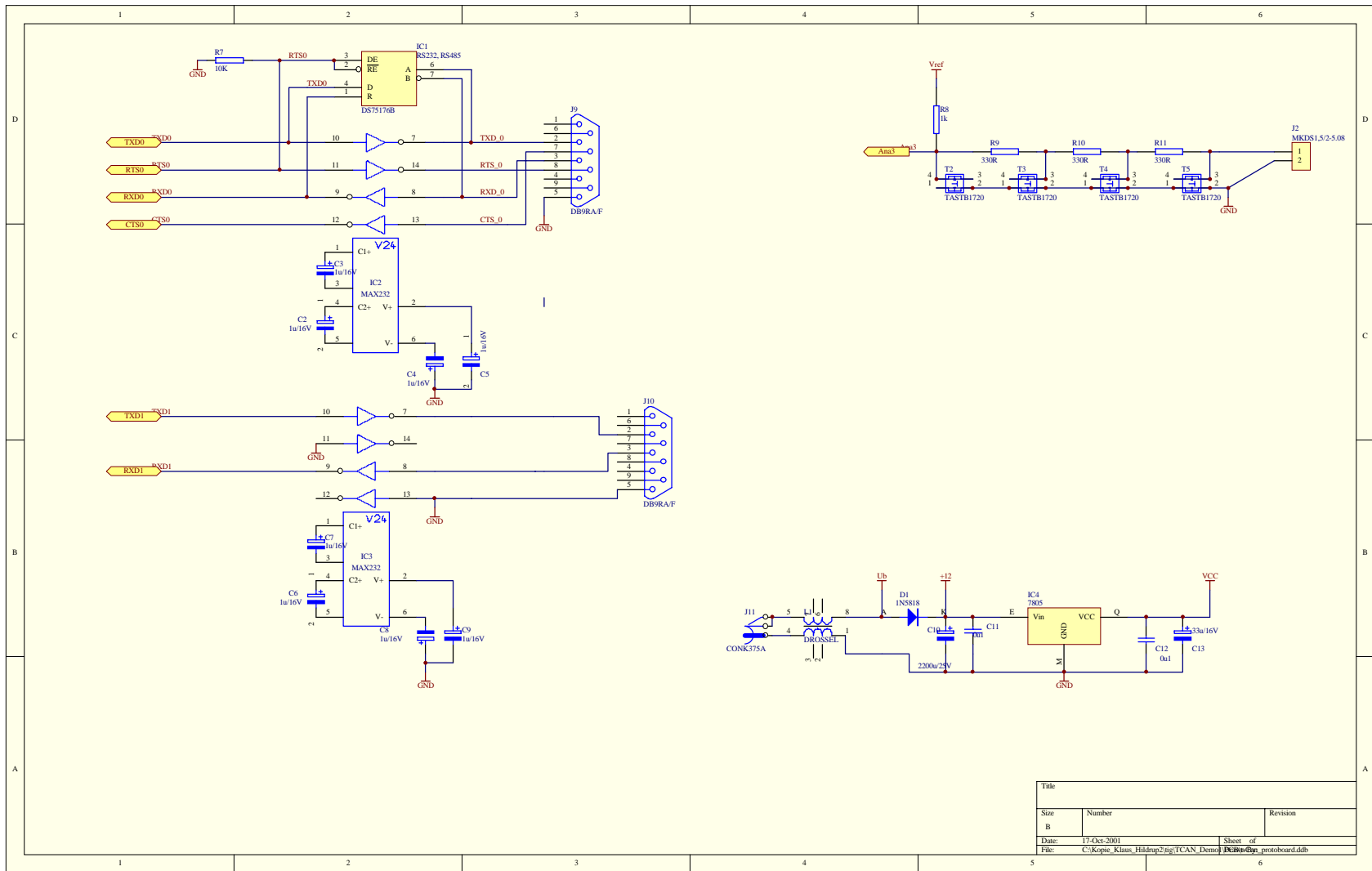
(c) Copyright Wilke Technology

Wilke Technology Krefelder Str. 147 D-52070 Aachen Germany	Tel: xx49 / 241 / 91890-0 Fax: xx49 / 241 / 91890-44 info@wilke-technology.com www.wilke-technology.com	File: tCAN_proto_main.Sch Date: 17-Oct-2001 10:01:08 Size: Drawn by:	Title: T-Can Prototyping Board Ref.No.: PCB00.XXXX Sheet 1 of 0 Revision V1.0
---	--	--	--



J18	
An_0	1
An_1	2
An_2	3
AGND	4
	5
	6
	7
	8
	9
	10
	AGND

Title		
Size	Number	Revision
B		
Date:	17-Oct-2001	Sheet of
File:	C:\Kopie_Klaus_Hilfup2\igTCAN_Demo\DEWibyp_protoboard.ddb	



Title		
Size	Number	Revision
B		
Date:	17-Oct-2001	Sheet of
File:	C:\Kopie_Klaus_Hilfup2\igTCAN_Demo\DEWib@by_protoboard.ddb	