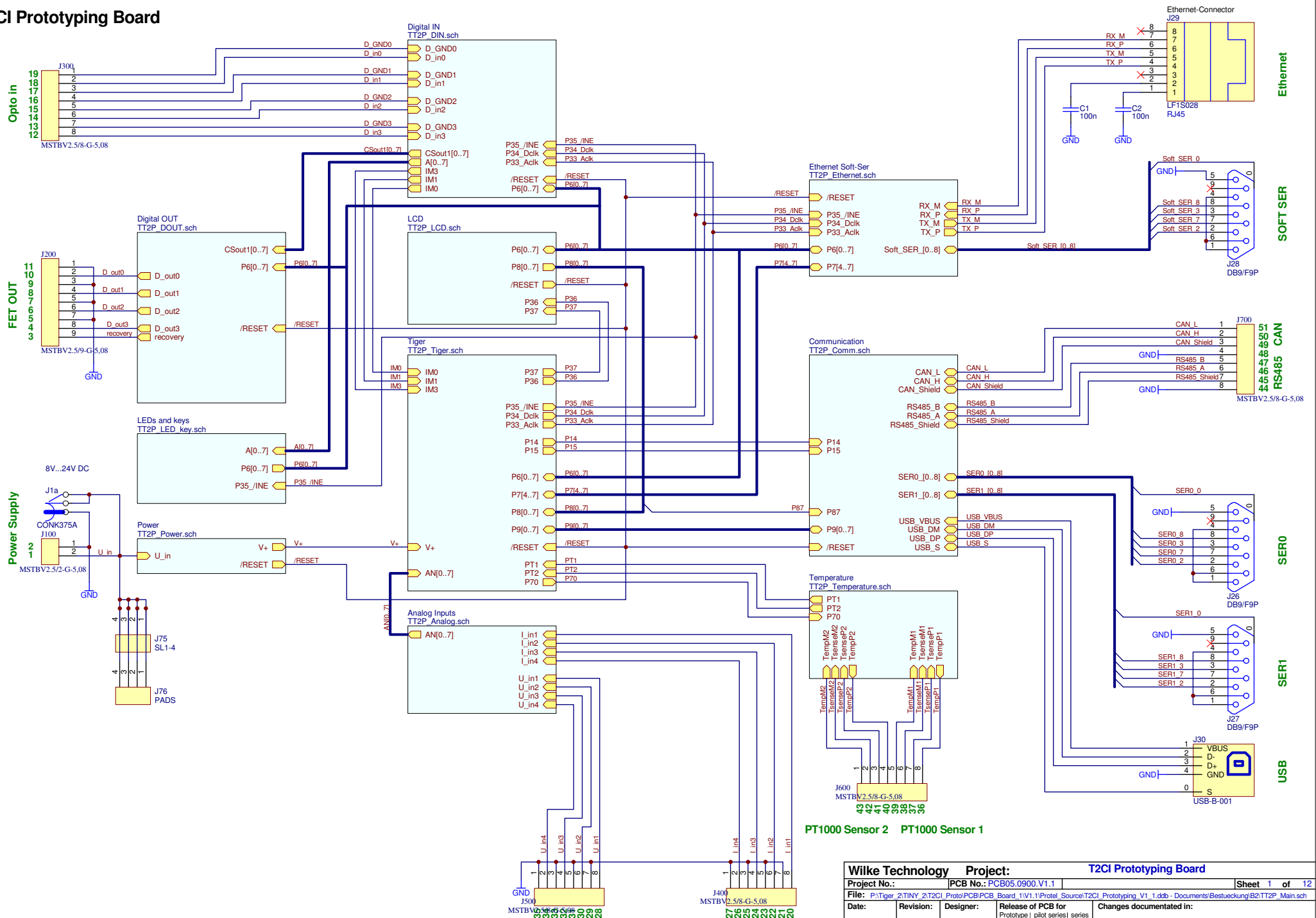


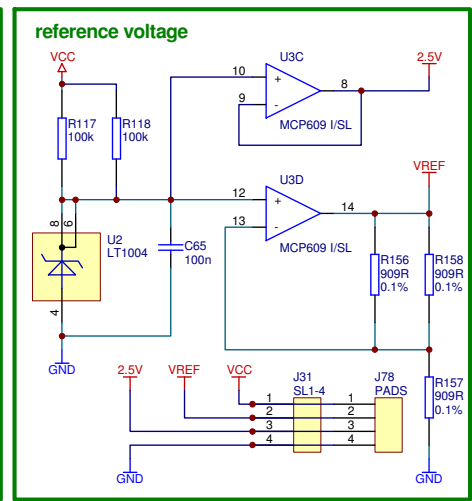
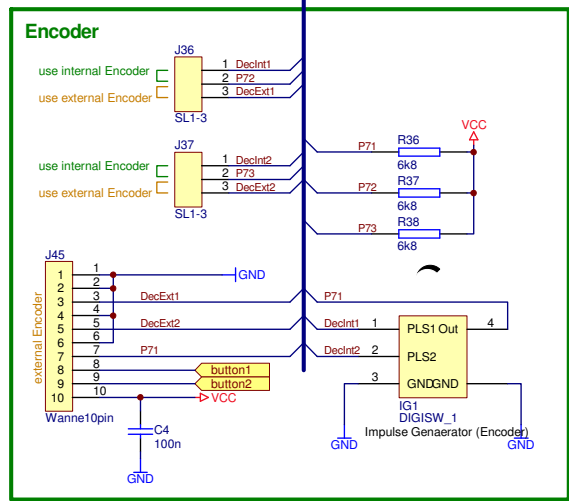
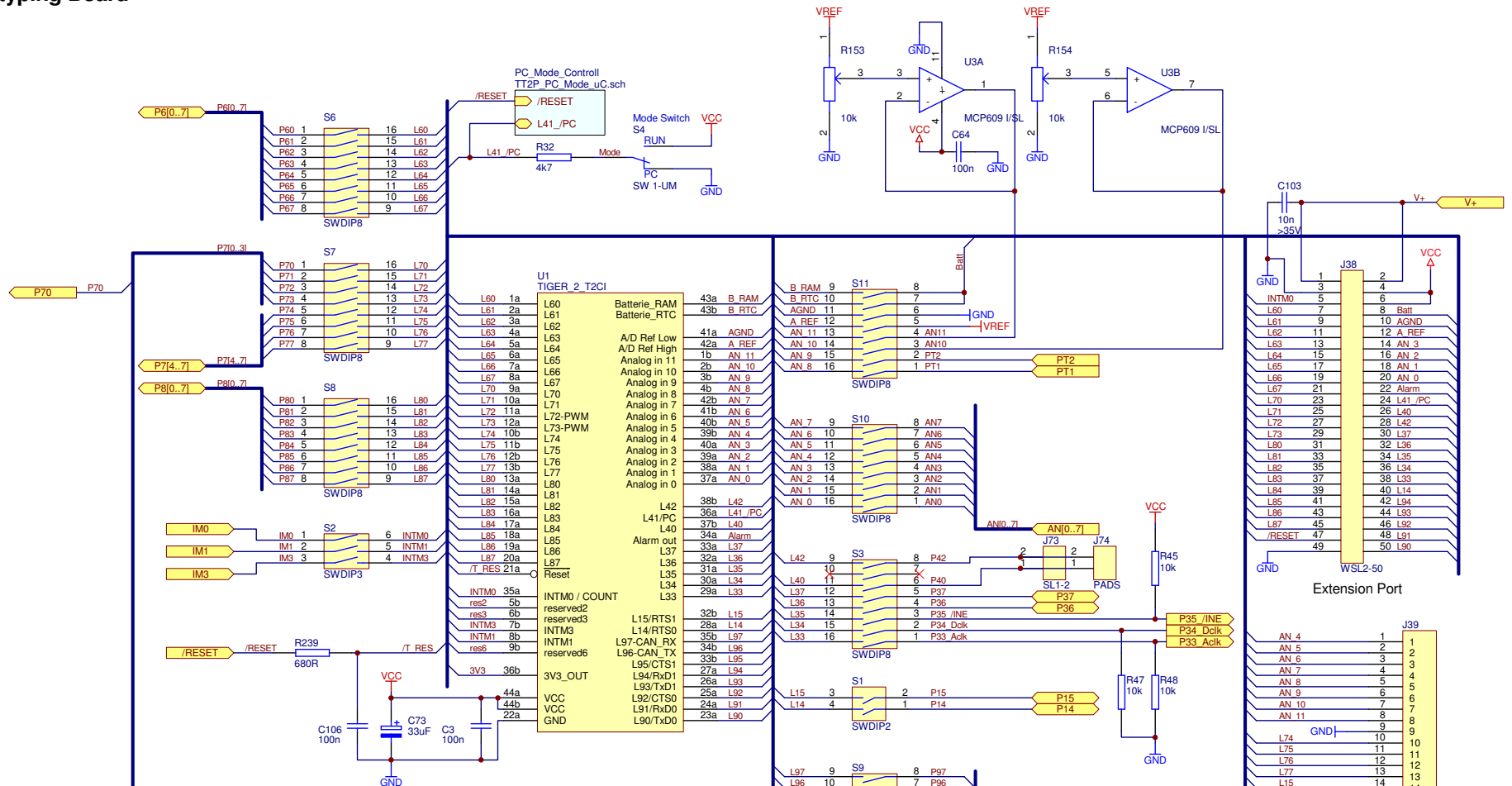
# T2CI Prototyping Board



Wilke Technology Project: T2CI Prototyping Board			
Project No.:	PCB No.:	PCB05.0900.V1.1	
File: P:\Tiger_2TINY_2T2CI_Proto\PCB\PCB_Board_1\1.1\Protel_Source\T2CI_Prototyping_V1_1.ddb - Documents\Bestueckung\B2\TT2P_Main.sch			
Date:	Revision:	Designer:	Release of PCB for Prototype   pilot series   series
	V1.0 V1.1	A. Küpper A. Küpper	OK OK
Changes documented in:			
P:\Tiger_2TINY_2T2CI_Proto\PCB\History_T2CI_Proto.doc			
P:\Tiger_2TINY_2T2CI_Proto\PCB\History_T2CI_Proto.doc			

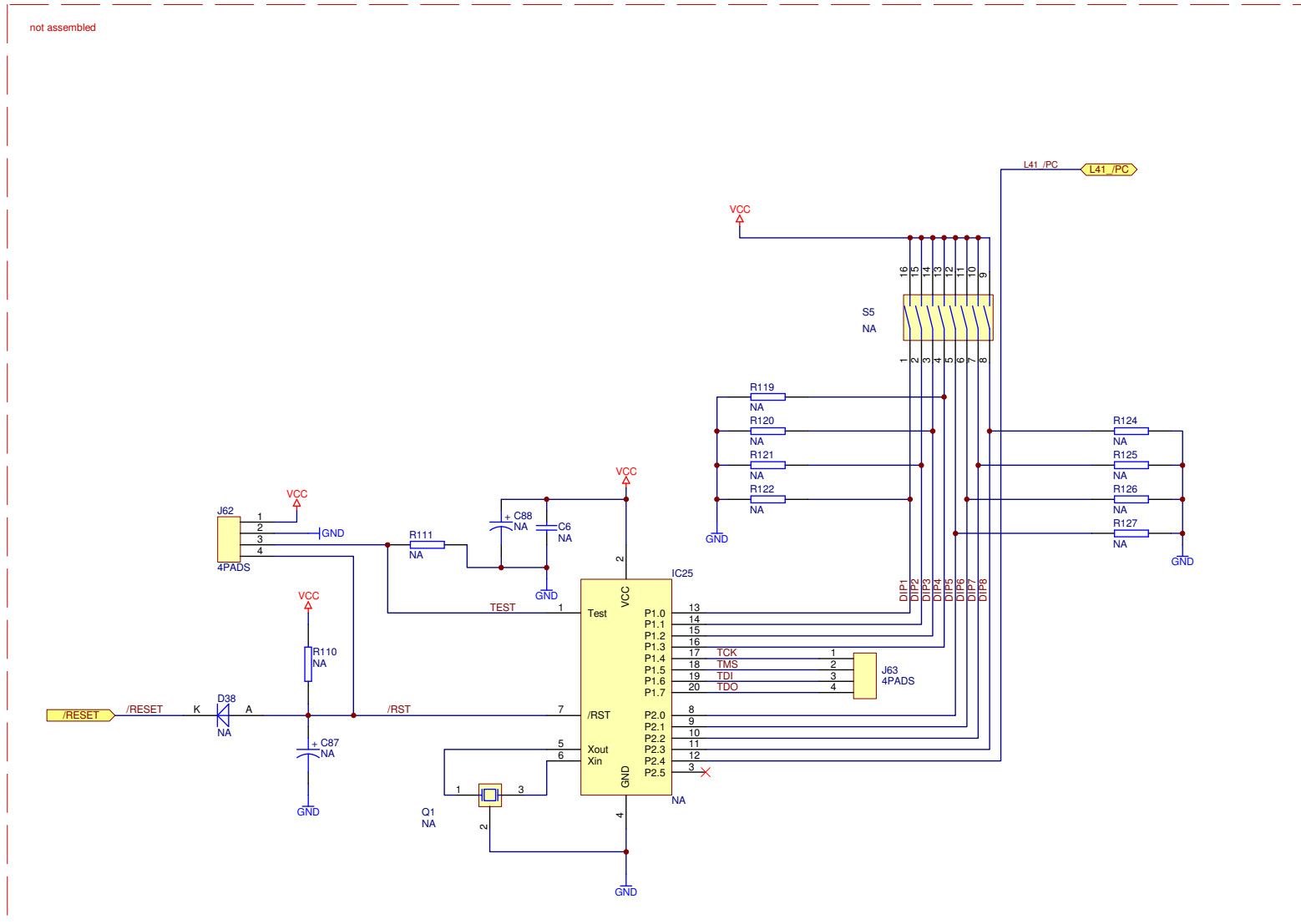
PT1000 Sensor 2 PT1000 Sensor 1

# T2CI Prototyping Board



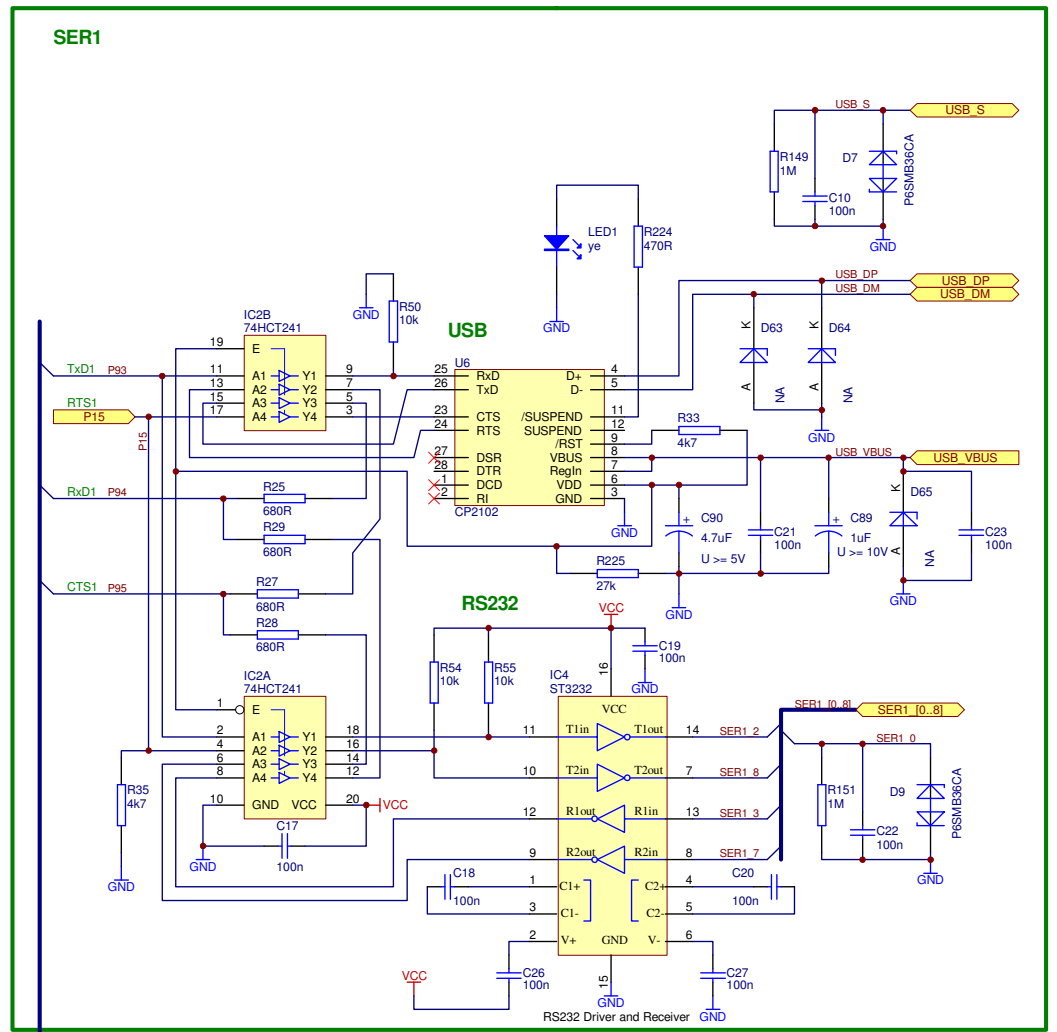
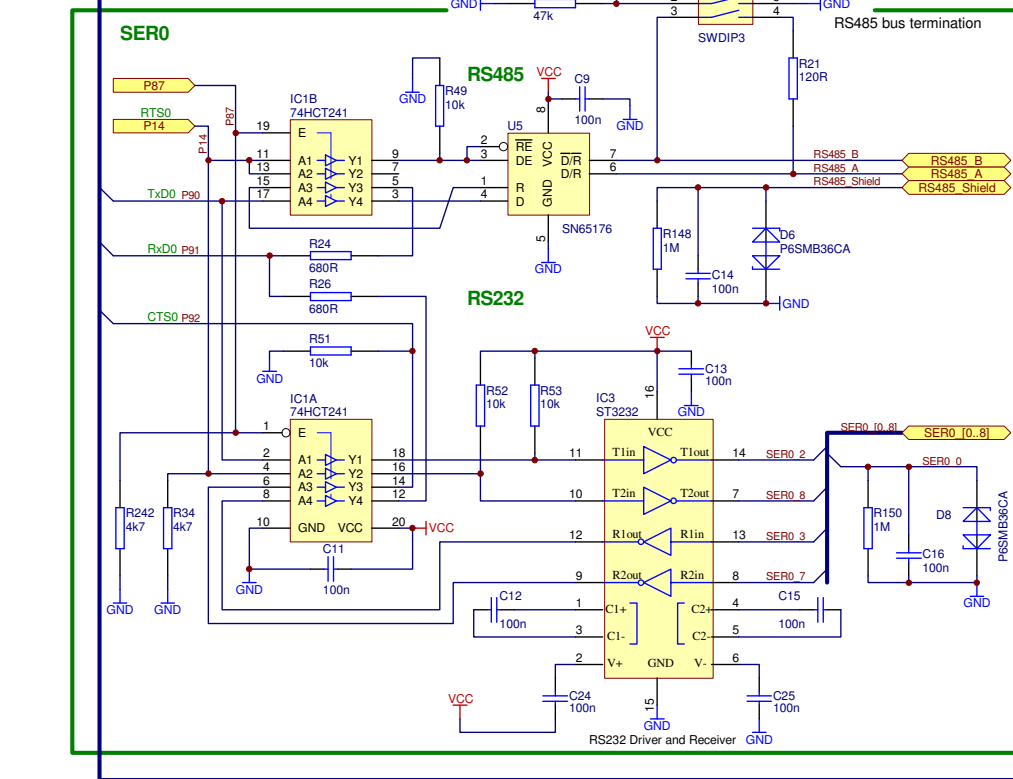
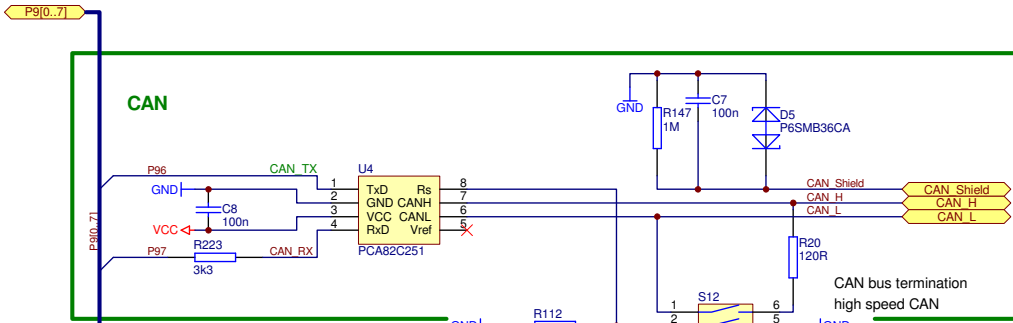
Wilke Technology Project:		T2CI Prototyping Board Tiger	
Project No.:	PCB No.:	PCB05.0900.V1.1	Sheet 2 of 12
File: P:\Tiger_2TINY_2T2CI_Proto\PCB\PCB_Board_1\V1.1\Protel_Source\T2CI_Prototyping_V1.1.ddb - Documents\Bestueckung\B2\T2P_Tiger.sch			
Date:	Revision:	Designer:	Release of PCB for Prototype   pilot series   series
	V1.0 V1.1	A. Küpper A. Küpper	Changes documented in:
			P:\Tiger_ITINY_IT2CI_Proto\PCB\History_T2CI_Proto.doc P:\Tiger_ITINY_IT2CI_Proto\PCB\History_T2CI_Proto.doc

# T2CI Prototyping Board



Wilke Technology Project:		T2CI Prototyping Board PC_Mode_Control	
Project No.:	PCB No.:	PCB05.0900.V1.1	Sheet 3 of 12
File: P:\Tiger_2\TINY_2\T2CI_Proto\PCB\PCB_Board_1\1\1\Protel_Source\T2CI_Prototyping_V1_1.ddb - Documents\Bestueckung\B2\TT2P_PC_Mode_IC.sch			
Date:	Revision:	Designer:	Release of PCB for Prototype   pilot series   series
	V1.0	A. Küpper	
Changes documented in:			P:\Tiger_INTINY_II\T2CI_Proto\PCB\History_T2CI_Proto.doc

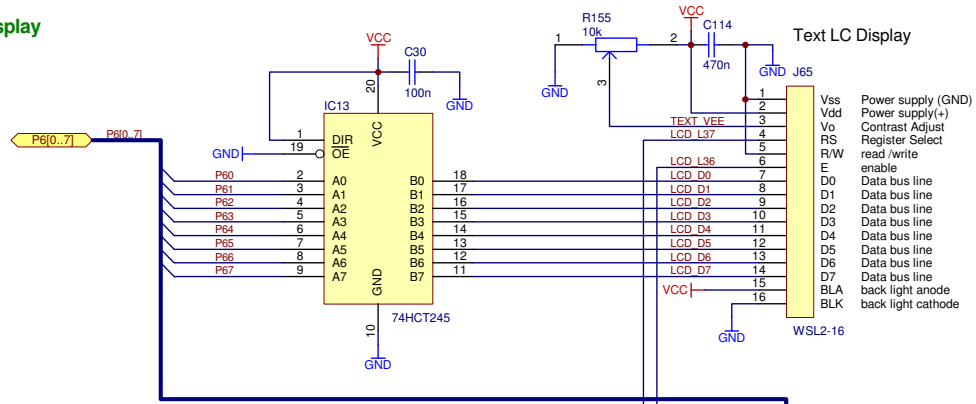
# T2CI Prototyping Board



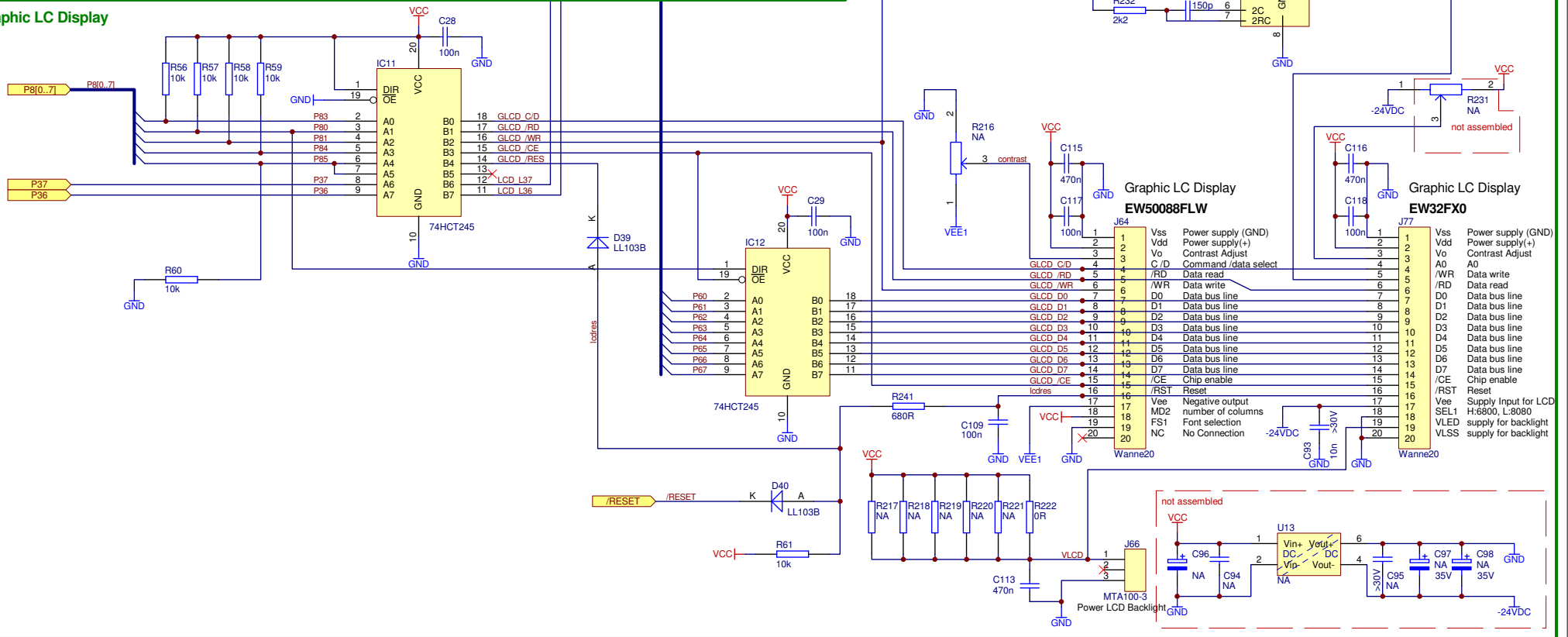
Wilke Technology		Project:		T2CI Prototyping Board Communication	
Project No.:	PCB No.:	PCB05.0900.V1.1	Sheet 4 of 12		
File: P:\Tiger_2\TINY_2\T2CI_Proto\PCB\PCB_Board_1\1\1\Protel_Source\T2CI_Prototyping_V1_1.ddb - Documents\Bestueckung\B2\T12P_Comm.sch					
Date:	Revision:	Designer:	Release of PCB for	Changes documented in:	
	V1.0 V1.1	A. Küpper A. Küpper	Prototype   pilot series   series	P:\Tiger_IT\TINY_2\T2CI_Proto\PCB\History_T2CI_Proto.doc P:\Tiger_IT\TINY_2\T2CI_Proto\PCB\History_T2CI_Proto.doc	

# T2CI Prototyping Board

## Text LC Display



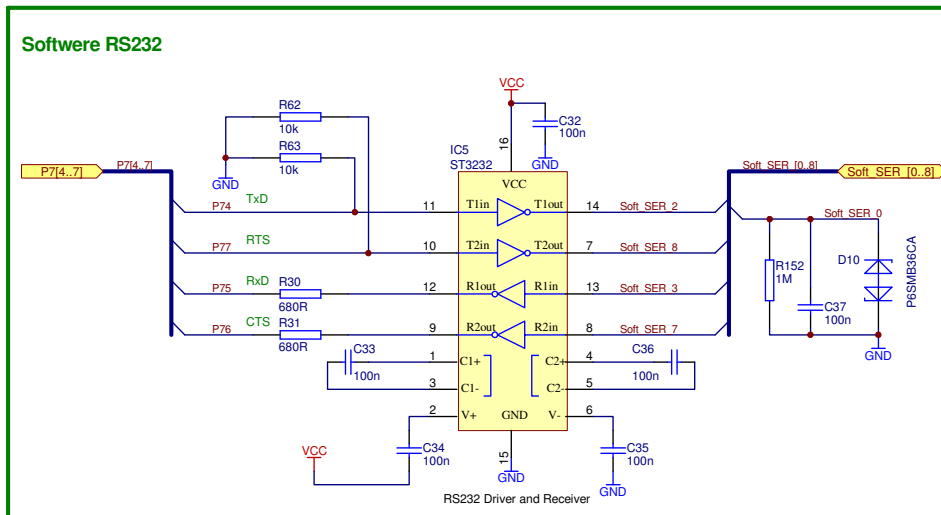
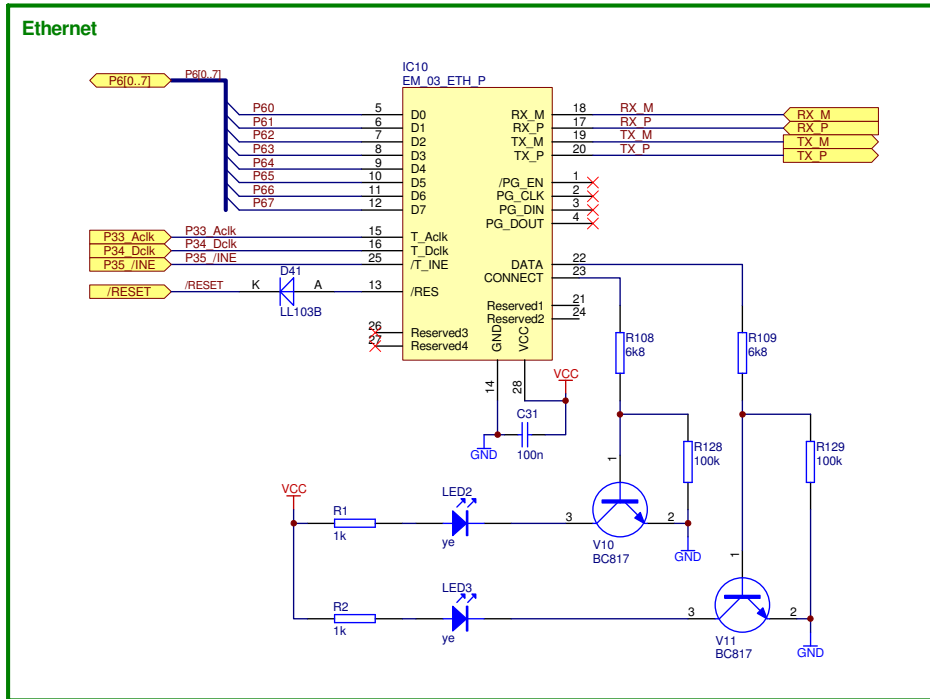
## Graphic LC Display



### Wilke Technology Project: T2CI Prototyping Board LCD

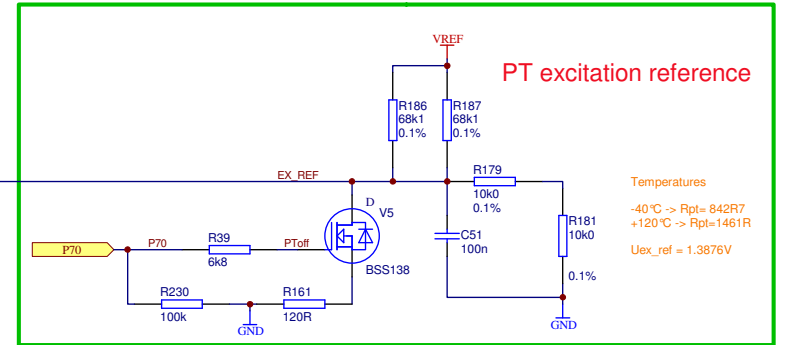
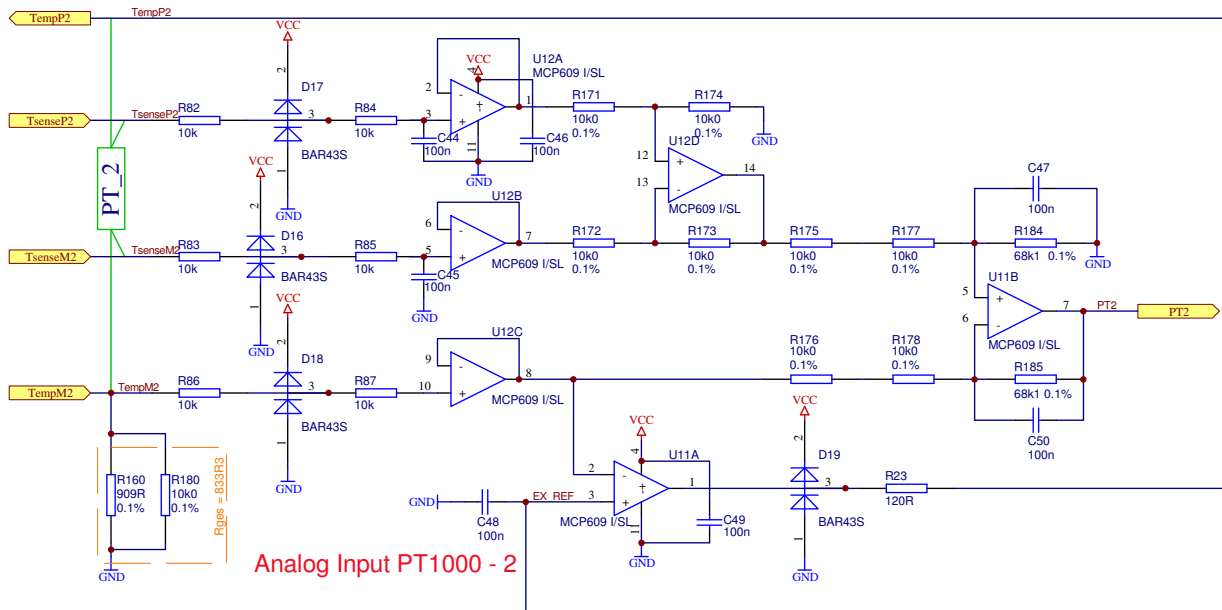
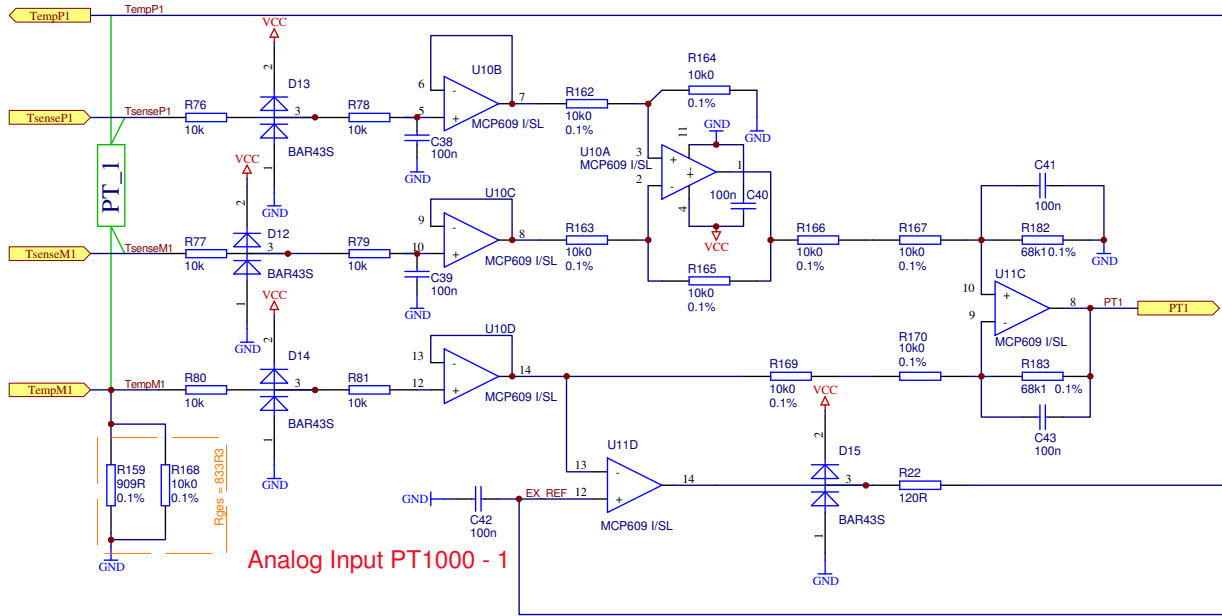
Project No.:	PCB No.: PCB05.0900.V1.1		Sheet 5 of 12
File: P:\Tiger_2\TINY_2\T2CI_Proto\PCB\PCB Board_1\1\1\Protel_Source\T2CI_Prototyping_V1_1.ddb - Documents\Bestueckung\B2\T2P_LCD.sch			
Date:	Revision:	Designer:	Release of PCB for Prototype   pilot series   series
	V1.0 V1.1	A. Kupper A. Kupper	Changes documented in: P:\Tiger_IT\TINY_II\T2CI_TEST\PCB\HISTORY_T2CI_Testadapter.doc P:\Tiger_IT\TINY_II\T2CI_Proto\PCB\History_T2CI_Proto.doc

# T2CI Prototyping Board



Wilke Technology Project:		T2CI Prototyping Board Ethernet + Soft-Ser	
Project No.:	PCB No.:	PCB05.0900.V1.1	Sheet 6 of 12
File: P:\Tiger_2\TINY_2\T2CI_Proto\PCB\PCB_Board_1\1.1\Protel_Source\T2CI_Prototyping_V1_1.ddb - Documents\Bestueckung\B2\TT2P_Ethernet.sch			
Date:	Revision:	Designer:	Release of PCB for Prototype   pilot series   series
	V1.0 V1.1	A. Küpper A. Küpper	
Changes documented in:			
			P:\Tiger_INTINY_II\T2CI_TEST\PCB\HISTORY_T2CI_Testadapter.doc P:\Tiger_INTINY_II\T2CI_Proto\PCB\History_T2CI_Proto.doc

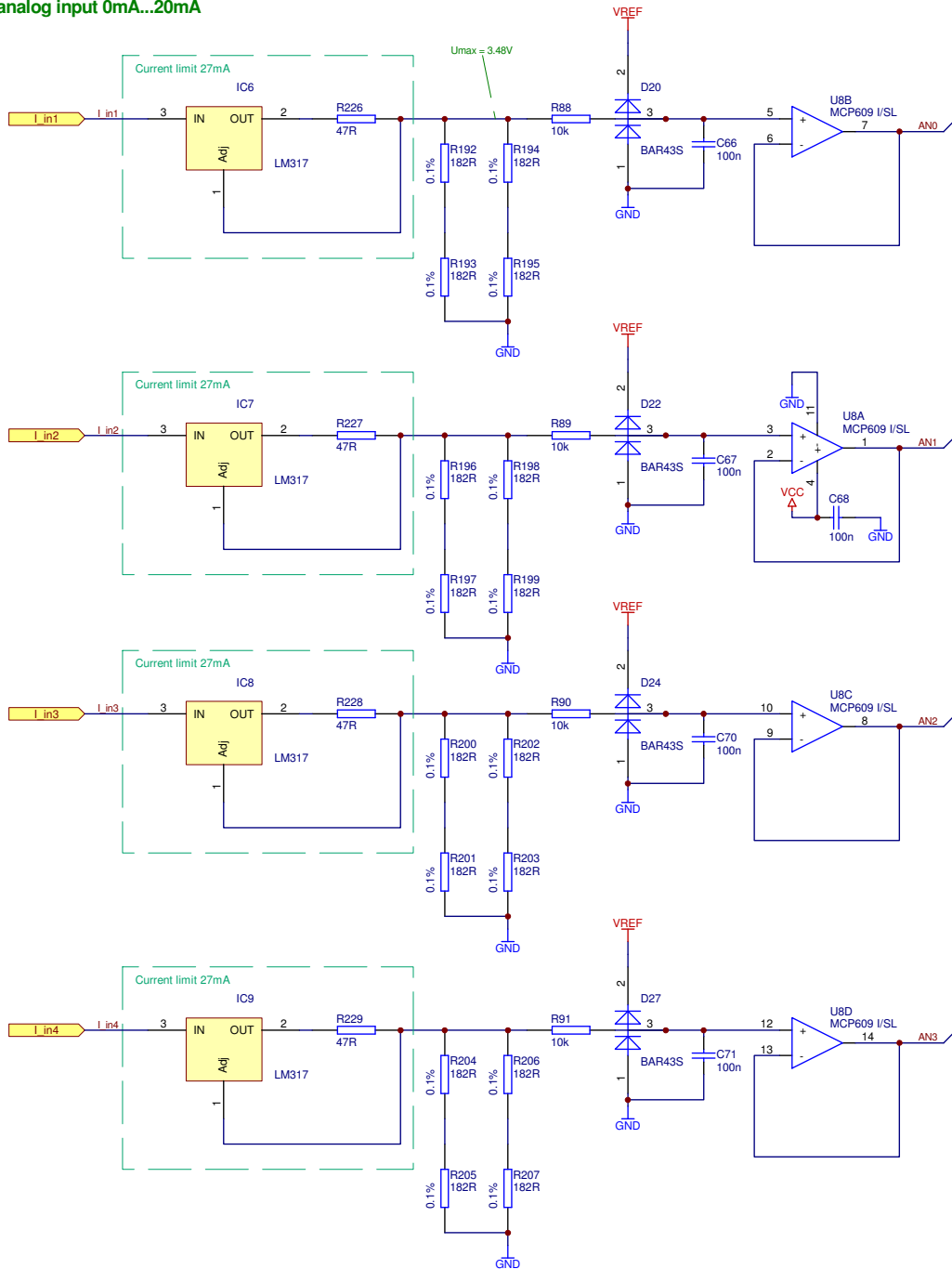
# T2CI Prototyping Board



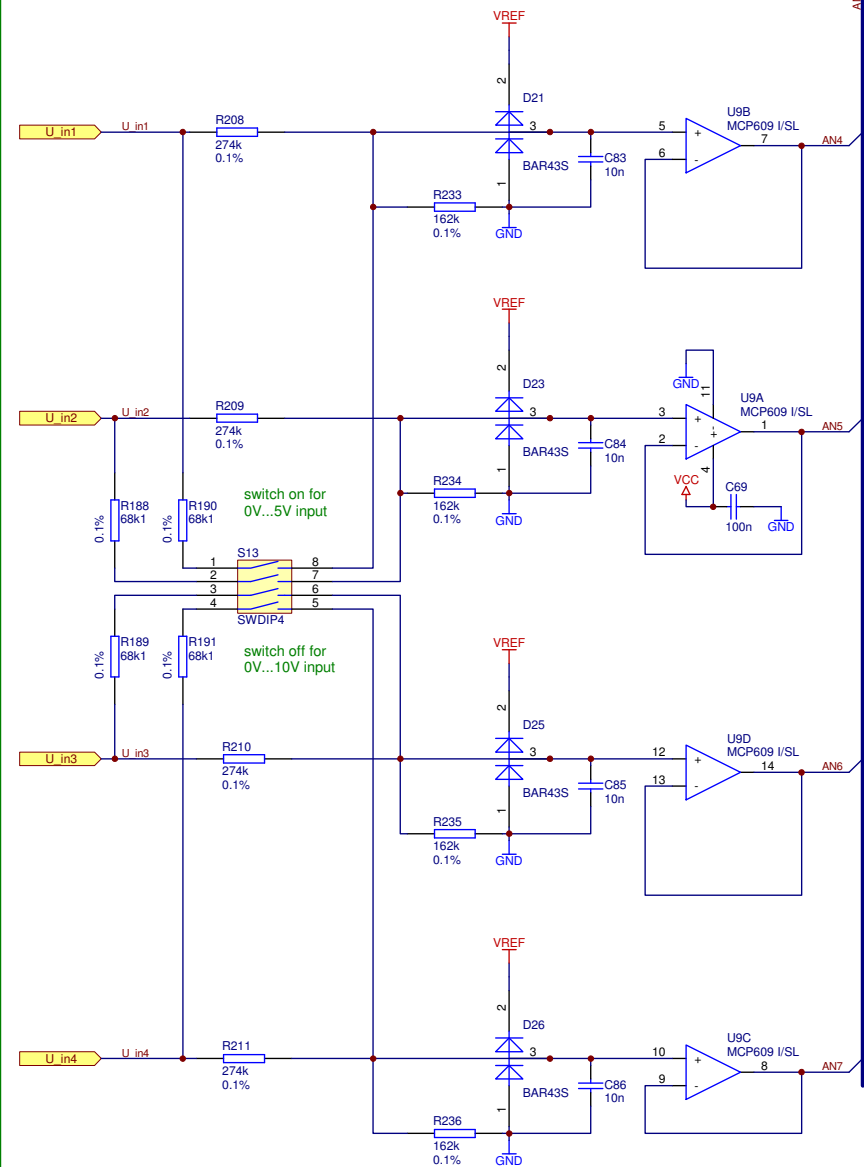
<b>Wilke Technology</b>		<b>Project:</b>		<b>T2CI Prototyping Board Temperature</b>	
<b>Project No.:</b>	PCB No.: PCB05.0900.V1.1			Sheet 7 of 12	
File: P:\Tiger_2\TINY_2\T2CI_Proto\PCB\PCB_Board_1\V1.1\Protel_Source\T2CI_Prototyping_V1.1.ddb - Documents\Bestueckung\B2\TT2P_Temperatur.sch					
<b>Date:</b>	<b>Revision:</b>	<b>Designer:</b>	<b>Release of PCB for</b>	<b>Changes documented in:</b>	
	V1.0 V1.1	A. Küpper A. Küpper	Prototype   pilot series   series	P:\Tiger_IL\TINY_IL\T2CI_Proto\PCB\History_T2CI_Proto.doc P:\Tiger_IL\TINY_IL\T2CI_Proto\PCB\History_T2CI_Proto.doc	

# T2CI Prototyping Board

## analog input 0mA...20mA



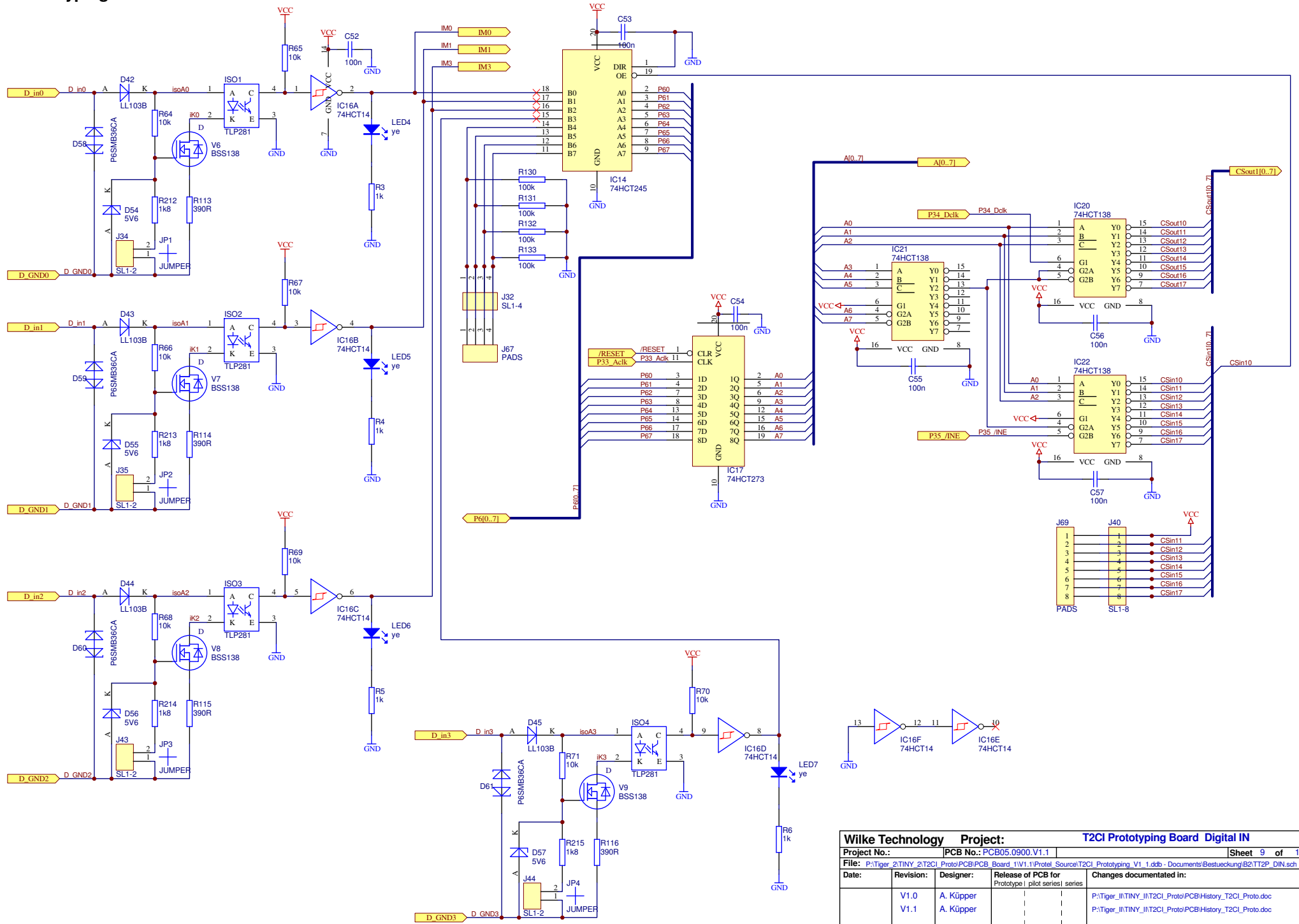
## analog input 0V...5V or 0V...10V



Wilke Technology		Project:		T2CI Prototyping Board Analog Inputs	
Project No.:	PCB No.:	PCB05.0900.V1.1		Sheet	8 of 12
File: P:\Tiger_2TINY_2T2CI_Proto\PCB\PCB_Board_1\1\1\Protel_Source\T2CI_Prototyping_V1_1.ddb - Documents\Bestueckung\B2\TT2P_Analog.sch					
Date:	Revision:	Designer:	Release of PCB for	Changes documented in:	
	V1.0 V1.1	A. Küpper A. Küpper	Prototype   pilot series   series	P:\Tiger_ILTINY_ILT2CI_Proto\PCB\History_T2CI_Proto.doc P:\Tiger_ILTINY_ILT2CI_Proto\PCB\History_T2CI_Proto.doc	

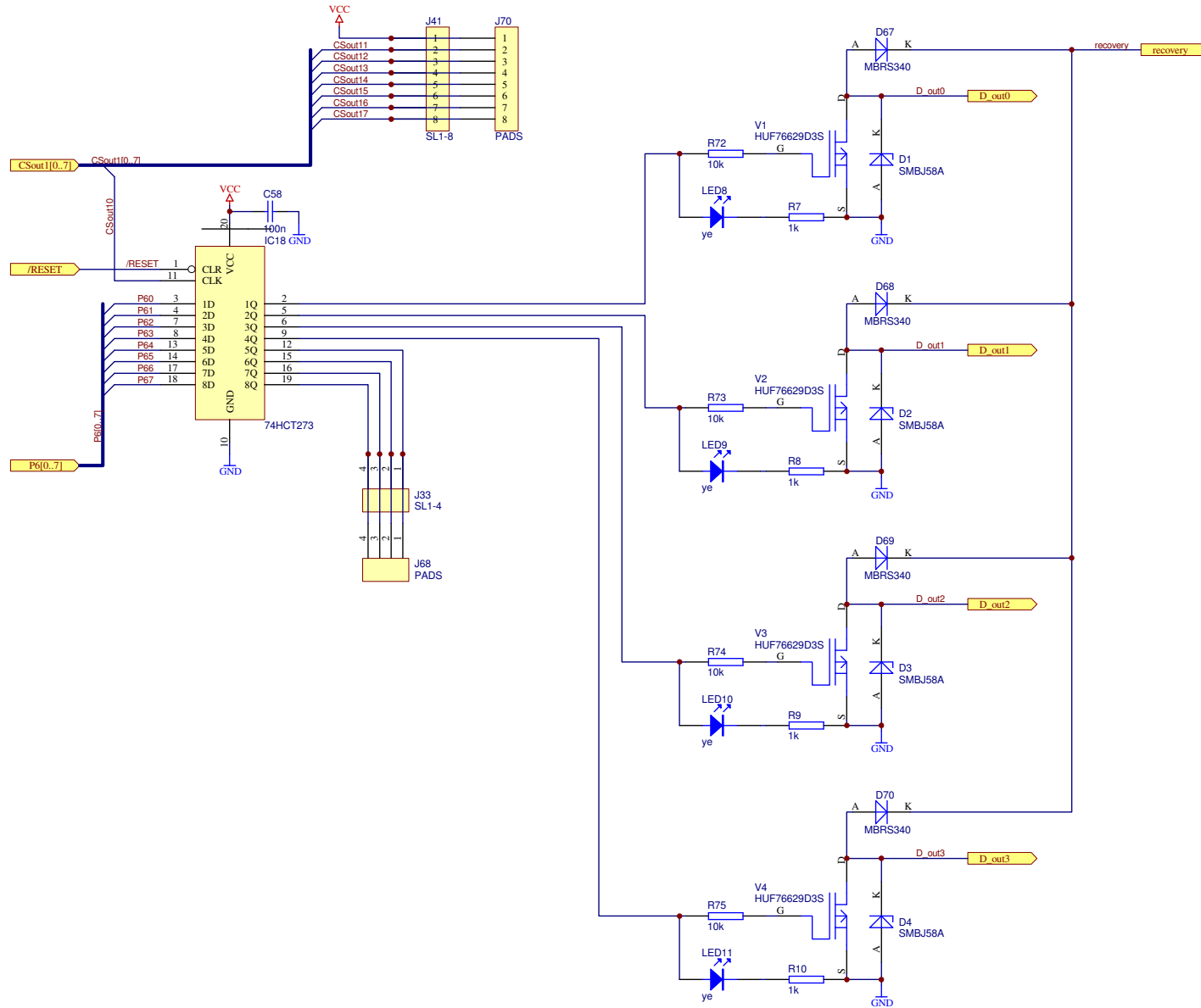


# T2CI Prototyping Board



Wilke Technology Project:		T2CI Prototyping Board Digital IN	
Project No.:	PCB No.:	PCB05.0900.V1.1	Sheet 9 of 12
File: P:\Tiger_2\TINY_2\T2CI_Proto\PCB\PCB_Board_1\V1.1\Protel_Source\T2CI_Prototyping_V1.1.ddb - Documents\Bestueckung\B2\TT2P_DIN.sch			
Date:	Revision:	Designer:	Release of PCB for Prototype   pilot series   series
	V1.0 V1.1	A. Küpper A. Küpper	Changes documented in: P:\Tiger_INTINY_II\T2CI_Proto\PCB\History_T2CI_Proto.doc P:\Tiger_INTINY_II\T2CI_Proto\PCB\History_T2CI_Proto.doc

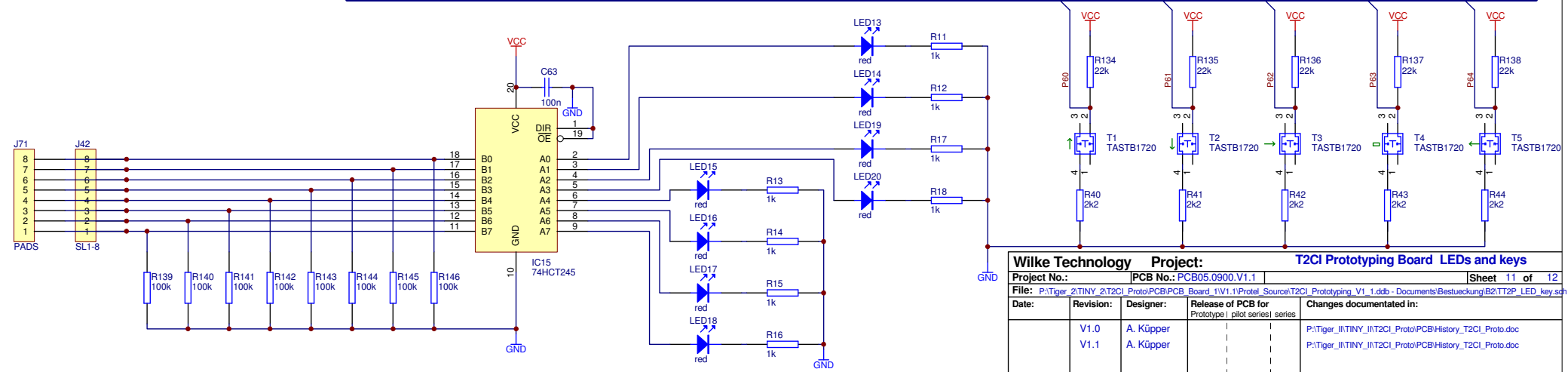
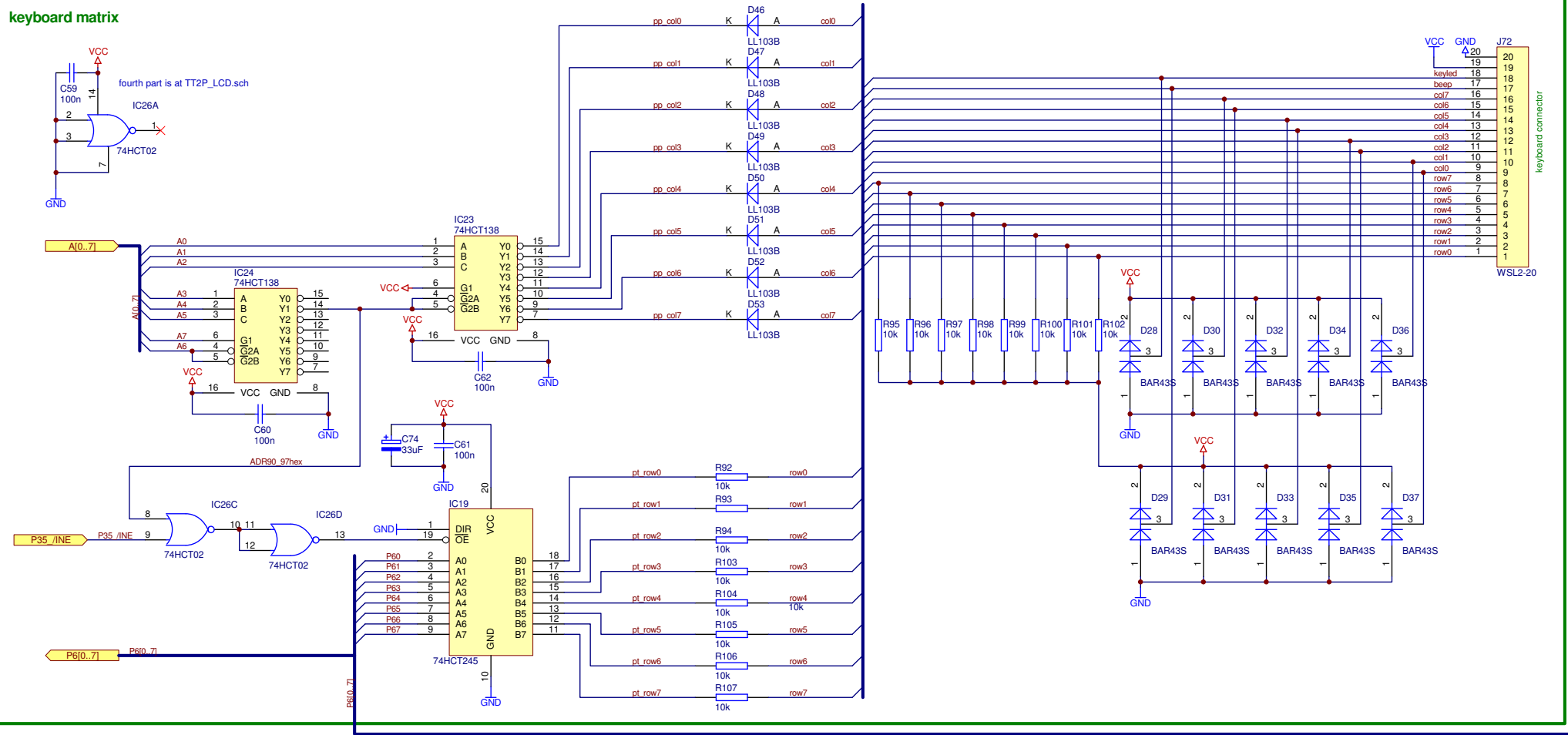
# T2CI Prototyping Board



Wilke Technology Project:		T2CI Prototyping Board Digital OUT	
Project No.:	PCB No.:	PCB05.0900.V1.1	Sheet 10 of 12
File: P:\Tiger_2\TINY_2\T2CI_Proto\PCB\PCB_Board_1\1.V1.1\Protel_Source\T2CI_Prototyping_V1.1.ddb - Documents\Bestueckung\B2\TT2P_DOUT.sch			
Date:	Revision:	Designer:	Release of PCB for Prototype   pilot series   series
	V1.0 V1.1	A. Küpper A. Küpper	
Changes documented in:			
			P:\Tiger_IL\TINY_IL\T2CI_Proto\PCB\History_T2CI_Proto.doc P:\Tiger_IL\TINY_IL\T2CI_Proto\PCB\History_T2CI_Proto.doc

# T2CI Prototyping Board

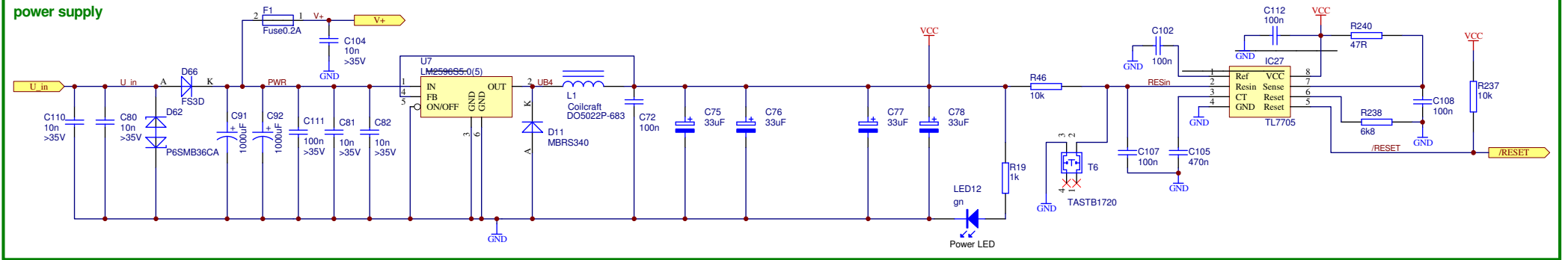
## keyboard matrix



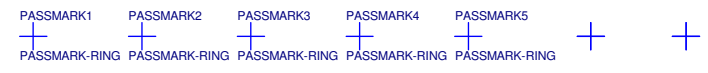
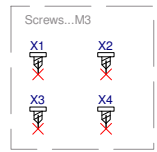
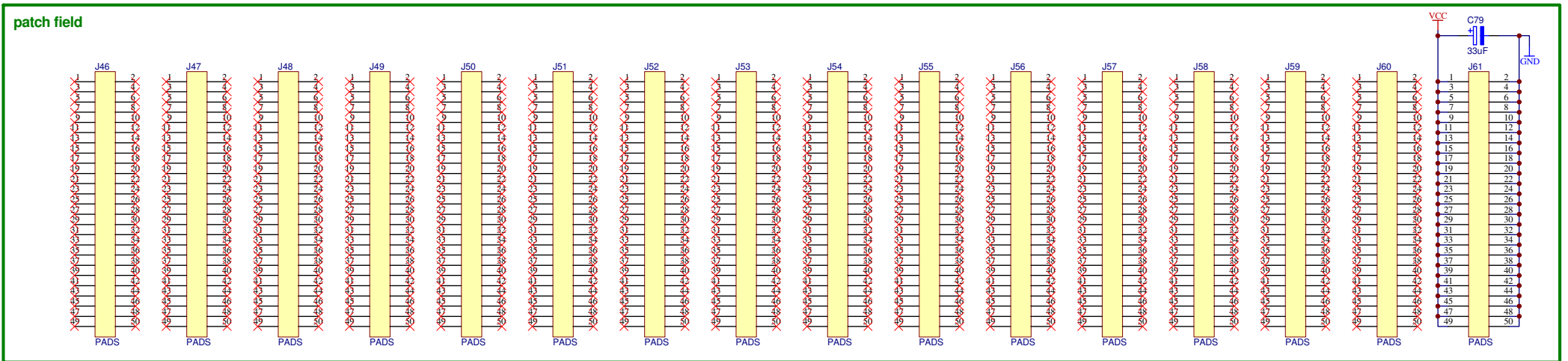
Wilke Technology Project:		T2CI Prototyping Board LEDs and keys	
Project No.:	PCB No.: PCB05.0900.V1.1	Sheet 11 of 12	
File: P:\Tiger_2\TINY_2\T2CI_Proto\PCB\PCB Board_1\1.1\Protel_Source\T2CI_Prototyping_V1_1.ddb - Documents\Bestueckung\B2\T2P_LED_key.sch			
Date:	Revision:	Designer:	Release of PCB for Prototype   pilot series   series
	V1.0 V1.1	A. Küpper A. Küpper	Changes documented in: P:\Tiger_2\TINY_2\T2CI_Proto\PCB\History_T2CI_Proto.doc P:\Tiger_2\TINY_2\T2CI_Proto\PCB\History_T2CI_Proto.doc

# T2CI Prototyping Board

## power supply



## patch field



Wilke Technology		Project:		T2CI Prototyping Board Power	
Project No.:	PCB No.:	PCB05.0900.V1.1	Sheet	12	of 12
File: P:\Tiger_2\T2CI_Proto\PCB\PCB_Board_1\1.1\Protel_Source\T2CI_Prototyping_V1_1.ddb - Documents\Bestueckung\B2\T2P_Power.sch					
Date:	Revision:	Designer:	Release of PCB for	Changes documented in:	
	V1.0 V1.1	A. Küpper A. Küpper	Prototype   pilot series   series	P:\Tiger_IL\TINY_IL\T2CI_TEST\PCB\HISTORY_T2CI_Testadapter.doc P:\Tiger_IL\TINY_IL\T2CI_Proto\PCB\History_T2CI_Proto.doc	