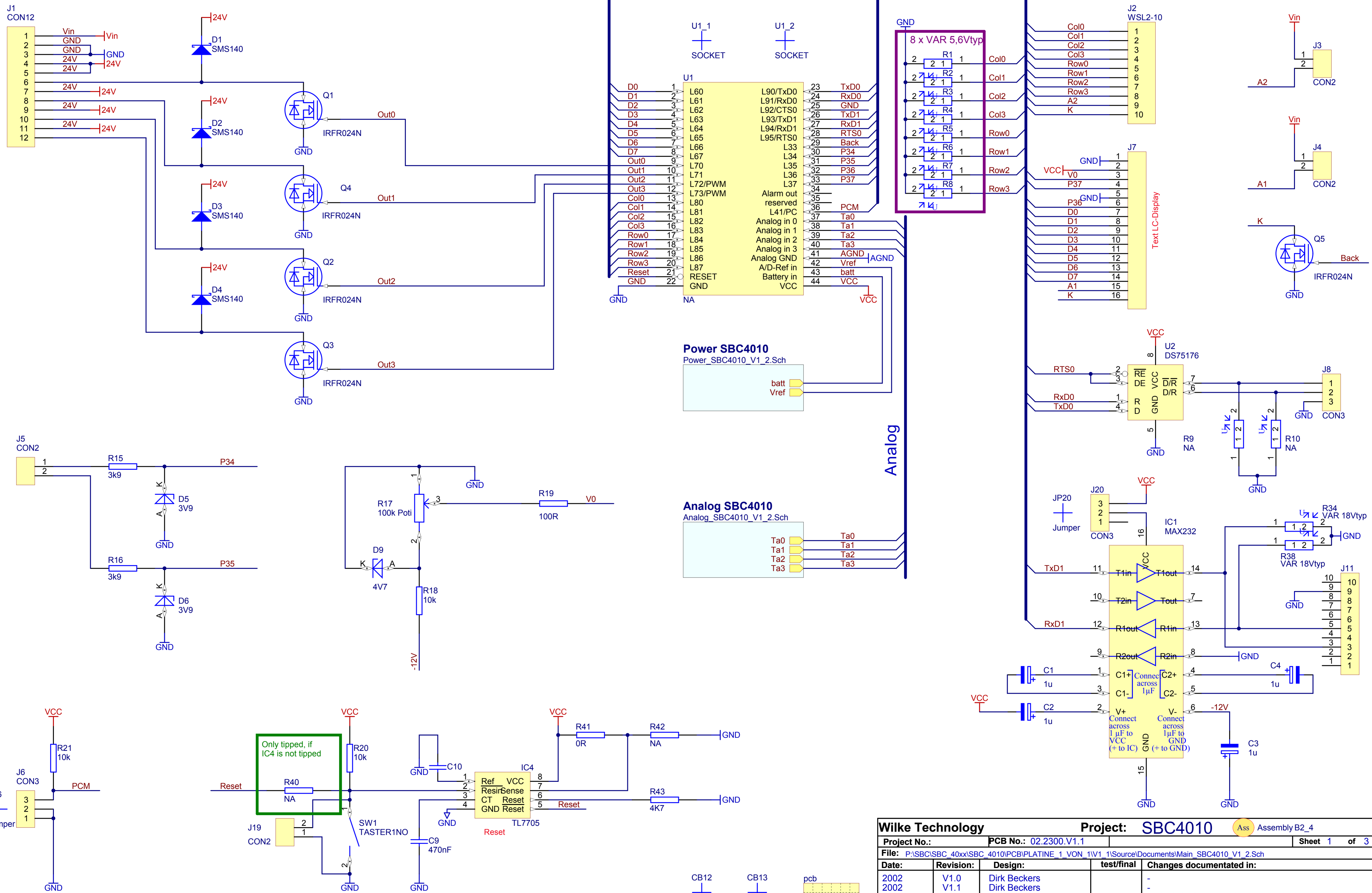
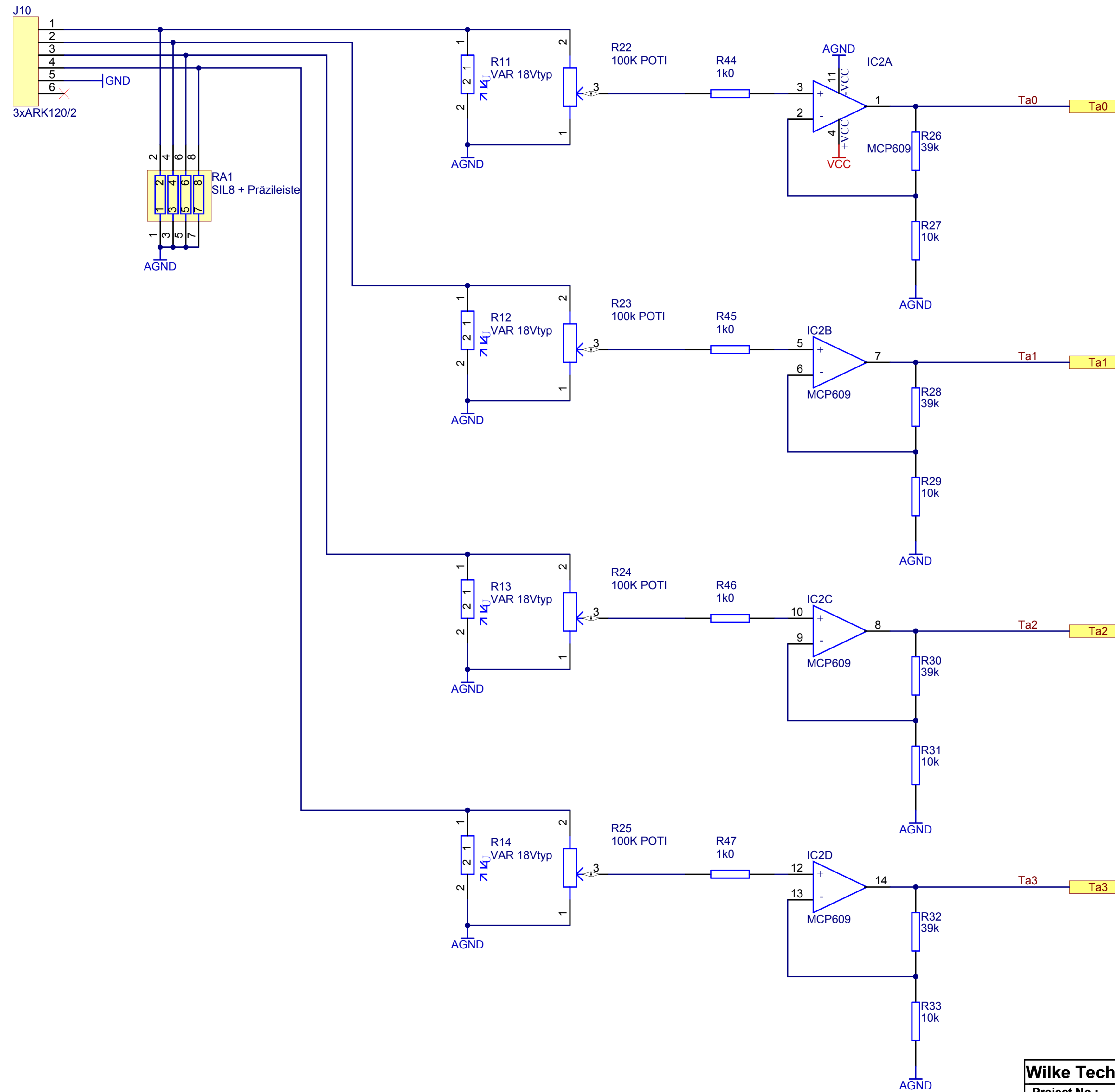


# SBC4010



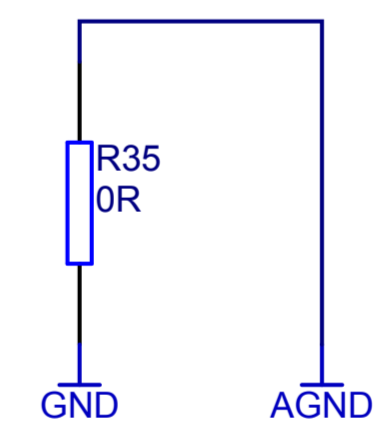
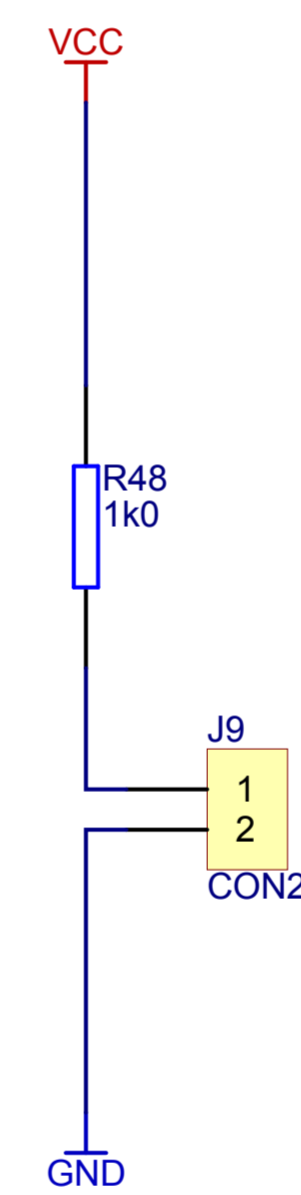
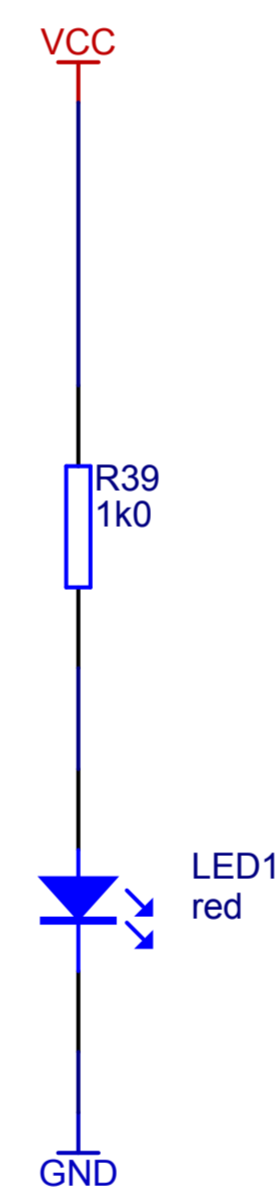
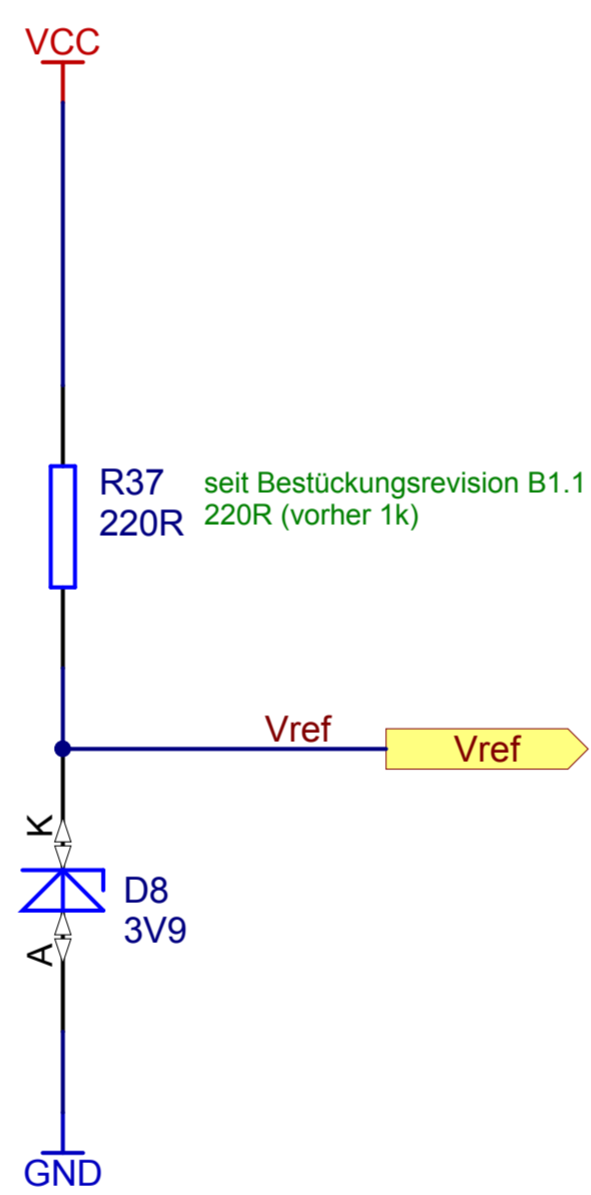
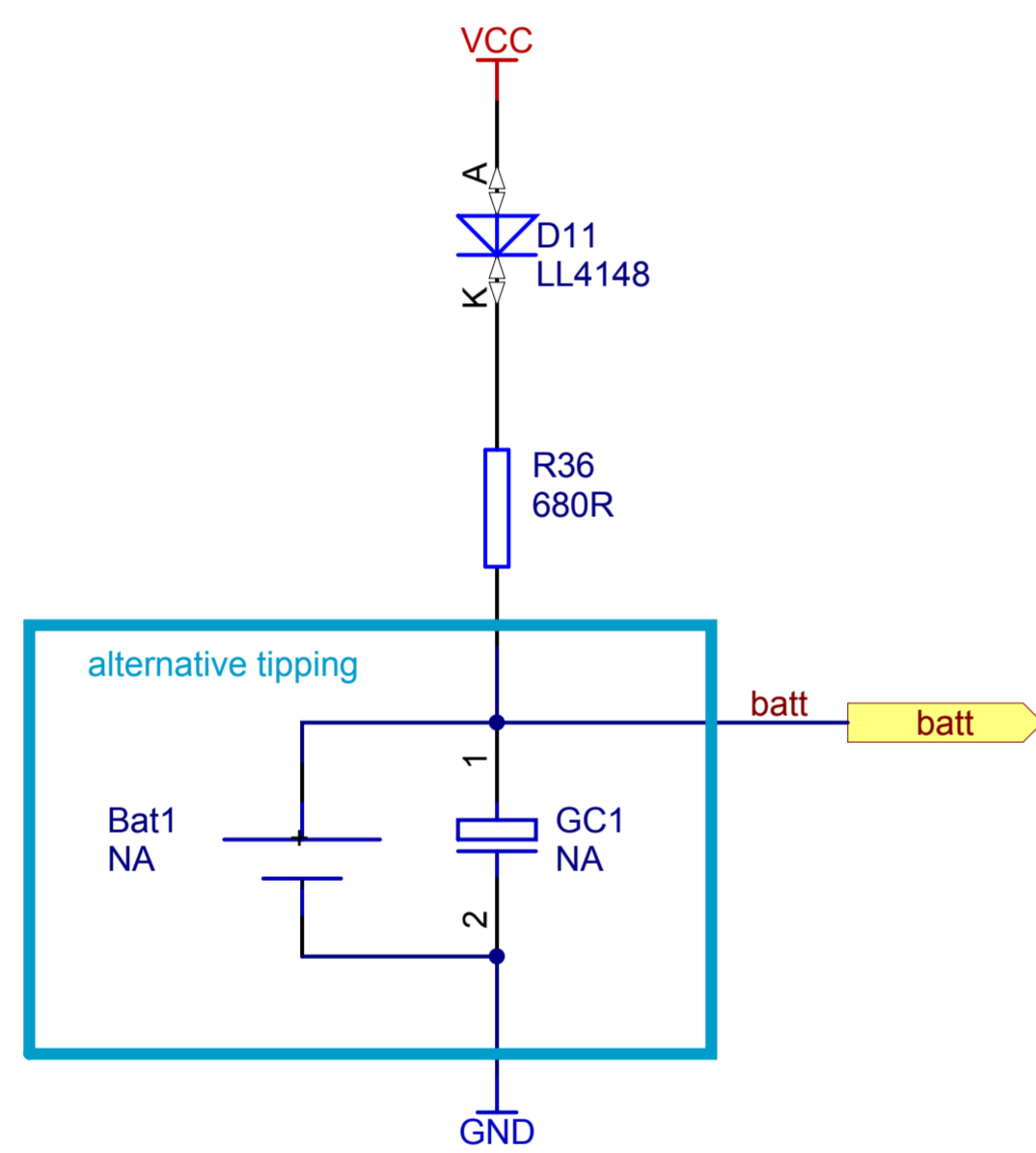
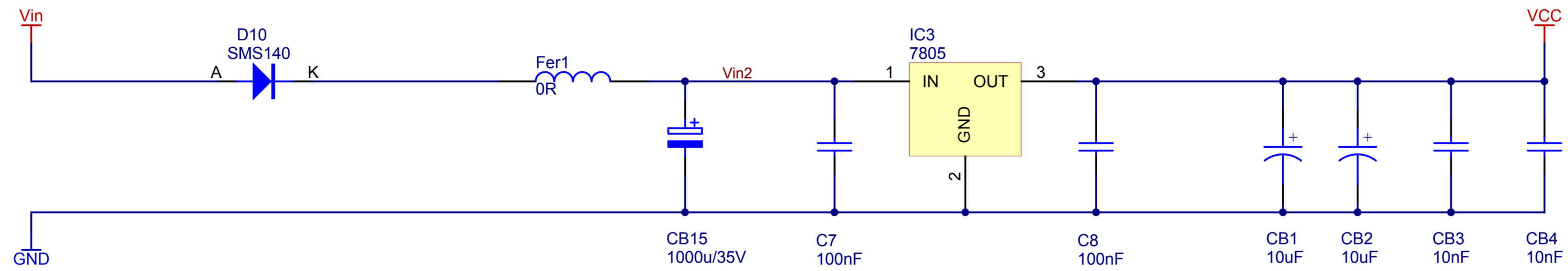
<b>Wilke Technology</b>		<b>Project: SBC4010</b>		Ass Assembly B2_4	
Project No.: 02.2300.V1.1		PCB No.: 02.2300.V1.1		Sheet 1 of 3	
File: P:\SBC\SBC_40x1\SBC_4010\PCB\PLATINE_1_VON_1V1_1\Source\Documents\Main_SBC4010_V1_2.Sch					
Date:	Revision:	Design:	test/final	Changes documented in:	
2002	V1.0	Dirk Beckers		-	
2002	V1.1	Dirk Beckers		-	
23.Aug.2004	V1.2	Andreas Küpper		P:\SBC\SBC_4010\PCB\History_SBC4010.doc	

# Analog SBC4010



<b>Wilke Technology</b>		<b>Project: SBC4010</b>		
<b>Project No.:</b>		<b>PCB No.:</b> 02.2300.V1.1		Sheet 2 of 3
<b>File:</b> P:\SBC\SBC_40xx\SBC_4010\PCB\PLATINE_1_VON_1V1_1\Source\Documents\Analog_SBC4010_V1_2.Sch				
<b>Date:</b>	<b>Revision:</b>	<b>Design:</b>	<b>test/final</b>	<b>Changes documented in:</b>
2002	V1.0	Dirk Beckers		-
2002	V1.1	Dirk Beckers		-
23.Aug.2004	V1.2	Andreas Küpper		P:\SBC\SBC_4010\PCB\History_SBC4010.doc

# Power SBC4010



<b>Wilke Technology</b>		<b>Project: SBC4010</b>		
<b>Project No.:</b>		<b>PCB No.:</b> 02.2300.V1.1		Sheet 3 of 3
<b>File:</b> P:\SBC\SBC_40xx\SBC_4010\PCB\PLATINE_1_VON_1\1\Source\Documents\Power_SBC4010_V1_2.Sch				
<b>Date:</b>	<b>Revision:</b>	<b>Design:</b>	<b>test/final</b>	<b>Changes documented in:</b>
2002	V1.0	Dirk Beckers		-
2002	V1.1	Dirk Beckers		-
23.Aug.2004	V1.2	Andreas Küpper		P:\SBC\SBC_4010\PCB\History_SBC4010.doc