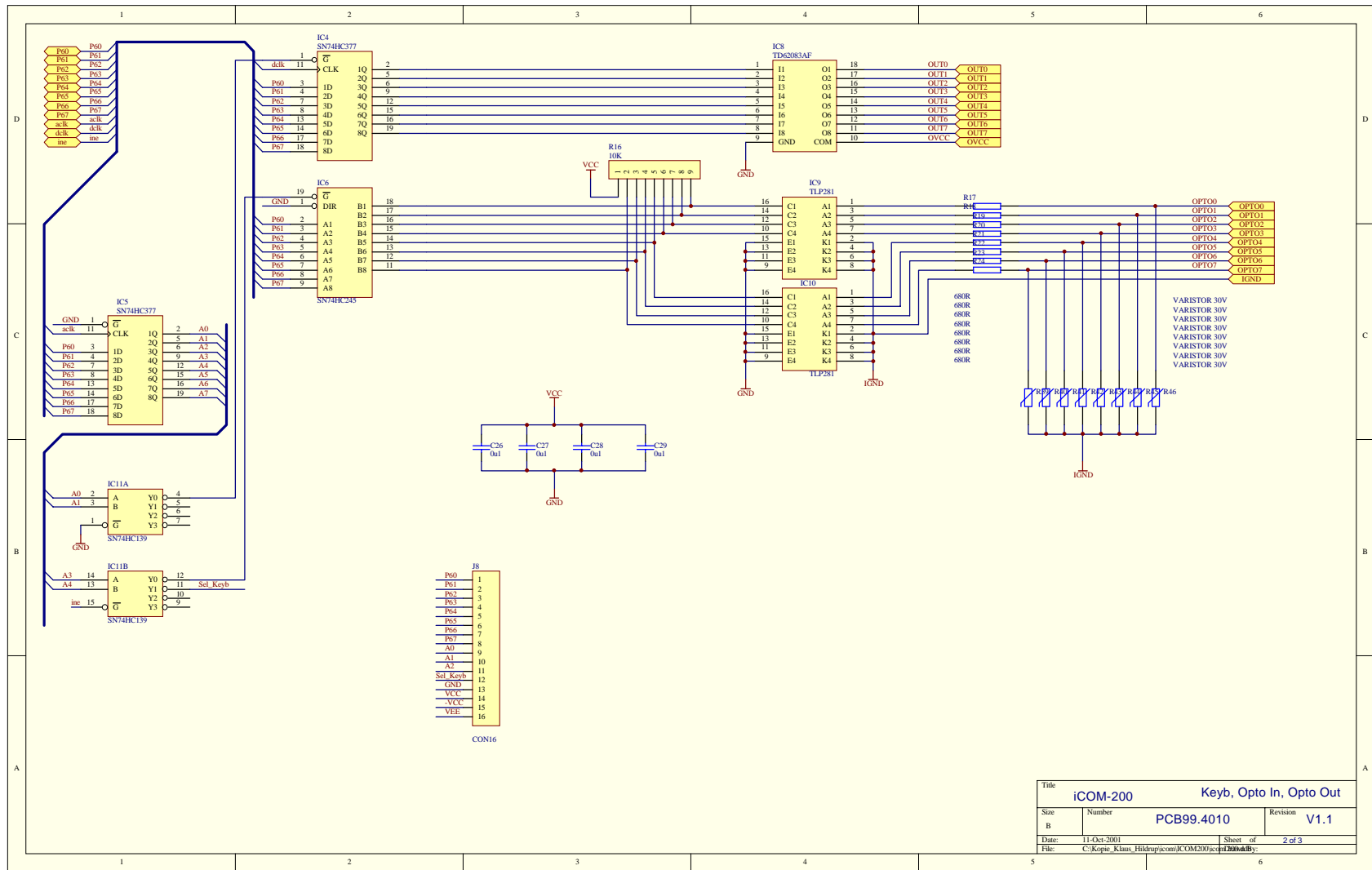
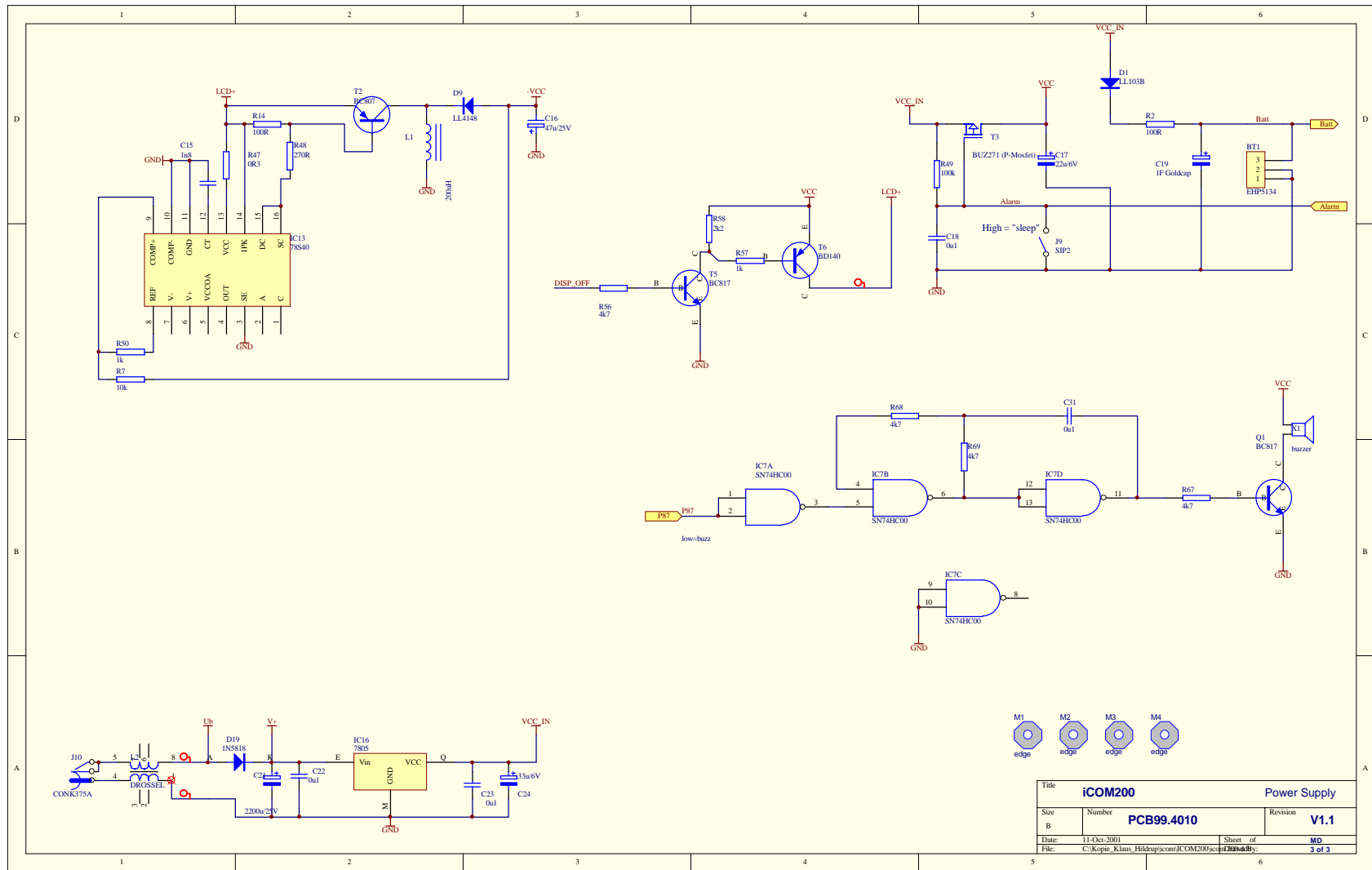


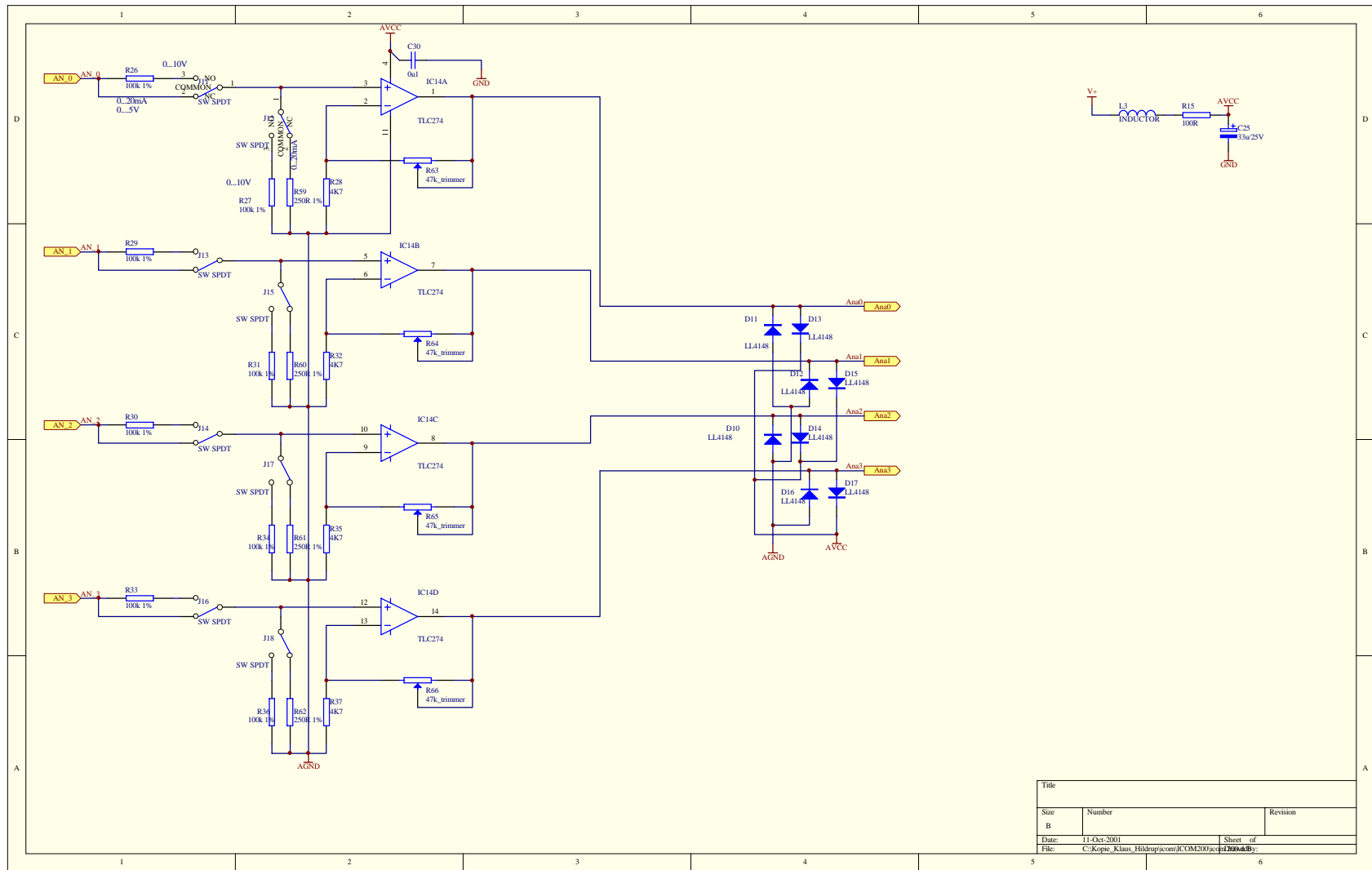
Title			iCOM-200		
Size	Number	PCB99.4100		Revision	V1.2
Date:	11-Oct-2001	Sheet of 1 of 3		Date: 11-Oct-2001	
File:	C:\Kopie_Klaus_Hilfproj\icom200\ic1\200m-3.sch	Sheet of 1 of 3		Date: 11-Oct-2001	



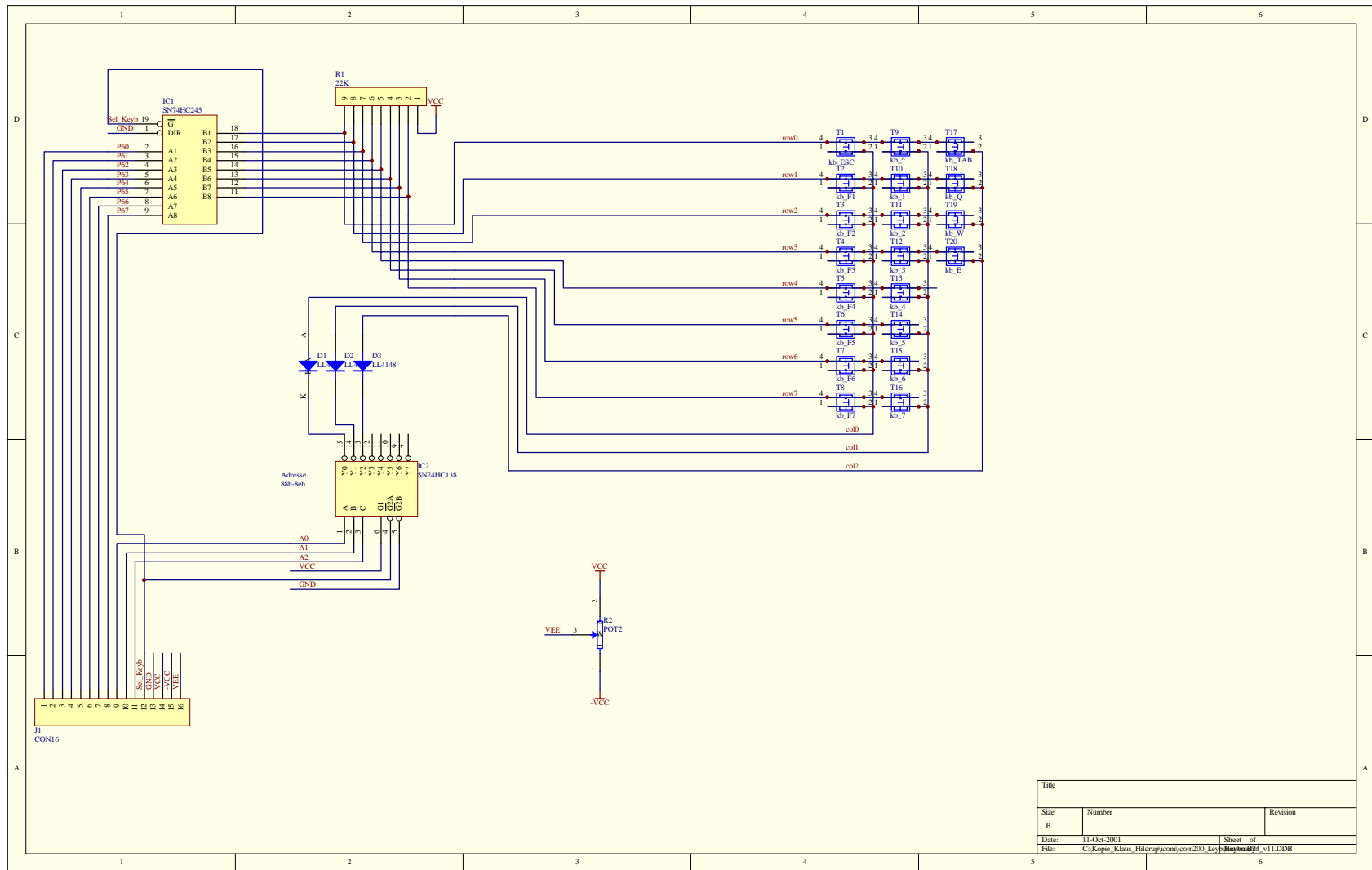
Title		iCOM-200      Keyb, Opto In, Opto Out	
Size	Number	Revision	V1.1
B	PCB99.4010		
Date:	11-Oct-2001	Sheet of	2 of 3
File:	C:\Kopie_Klaus_Hikrup\icom\COM200\cpl\200a.dwg		



Title		iCOM200 Power Supply	
Size	Number	Revision	
B	PCB99.4010	V1.1	
Date:	11-Oct-2001	Sheet of MD	
File:	C:\Kopie_Klaus_Hikrup\icom\ICOM200\icd1200a.dwg	3 of 3	



Title		
Size	Number	Revision
B		
Date:	11-Oct-2001	Sheet of
File:	C:\Kopie_Klaus_Hidrup\com\COM200\c4\1200a.Bj	



Title		
Size	Number	Revision
B		
Date:	11-Oct-2001	Sheet of
File:	C:\Kopie_Klaus_Hilfproj\com200_keyb\keyb031_v11.DDB	