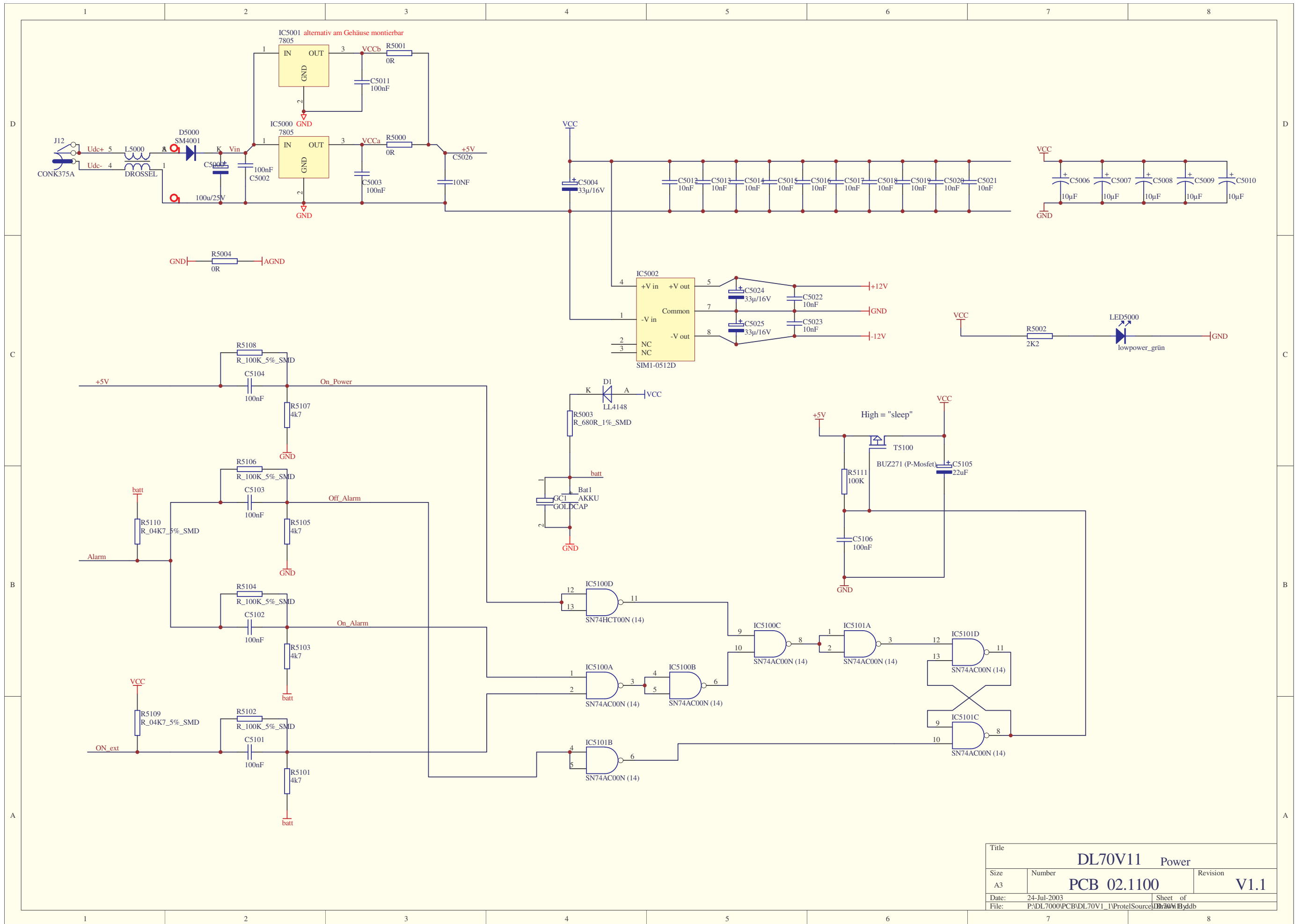
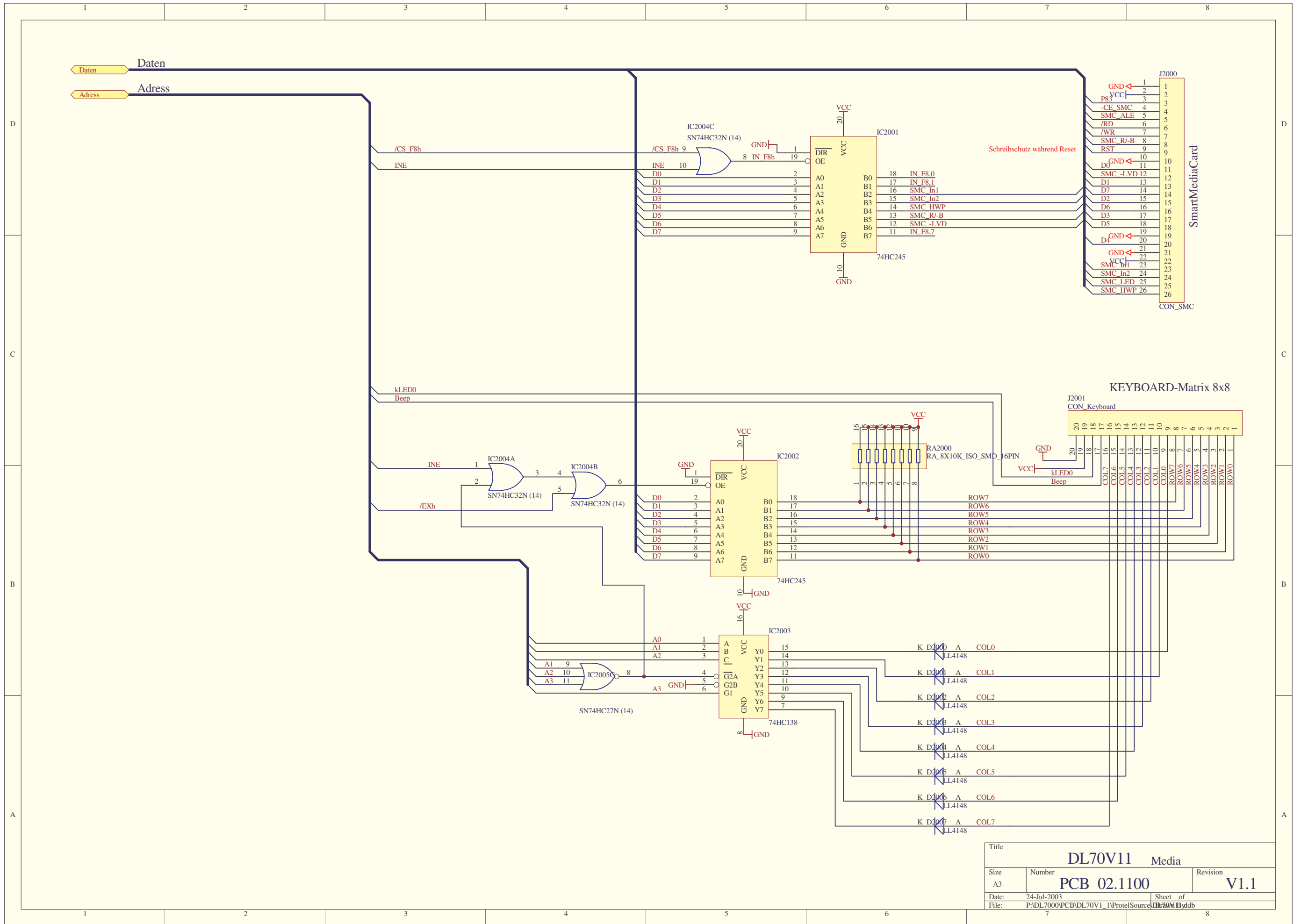


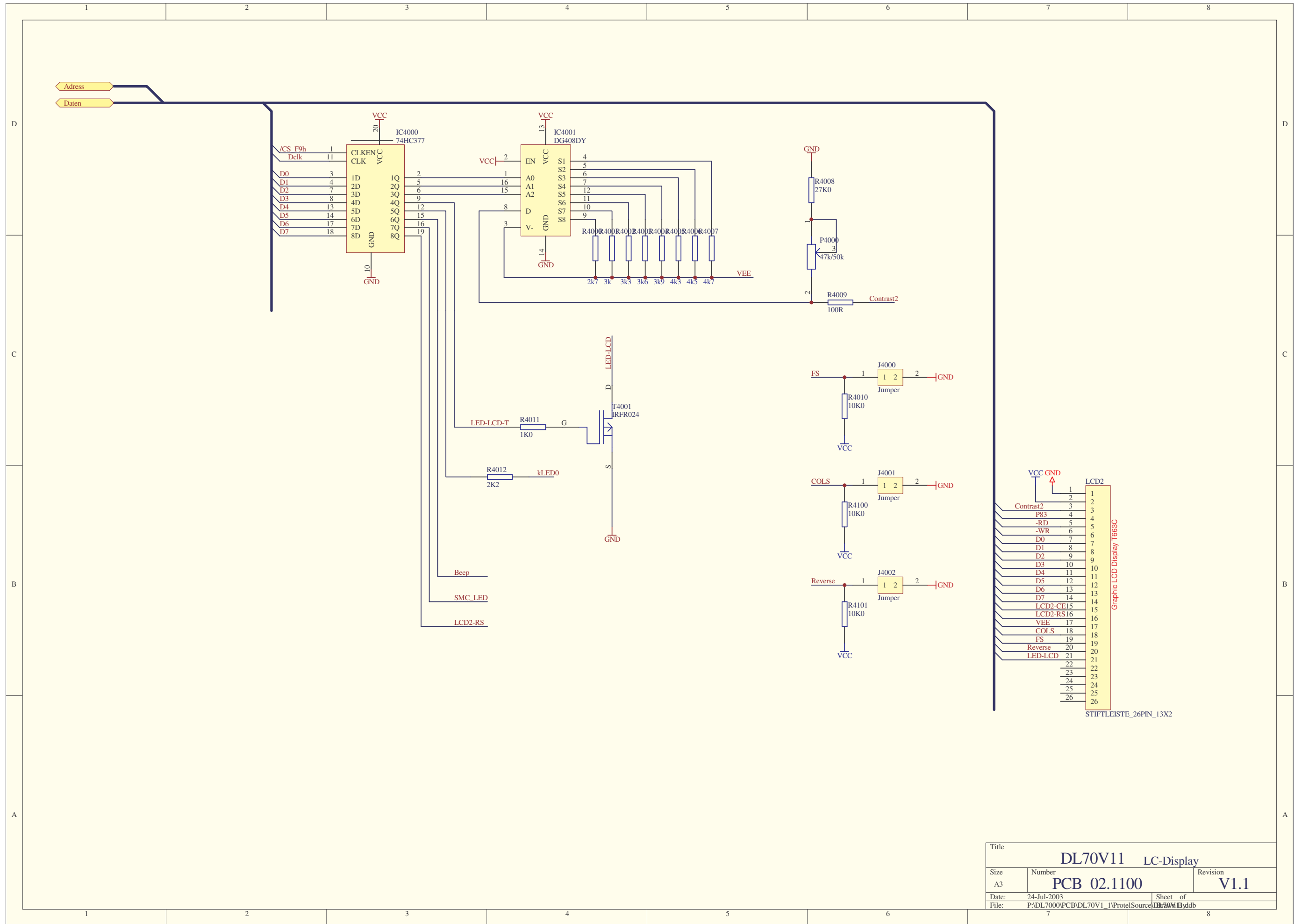
Title			DL70V11 MAIN		
Size	Number	Revision			
A3	PCB 02.1100	V1.1			
Date:	24-Jul-2003	Sheet of	1/6		
File:	P:\DL7000\PCB\DL70V1_1\ProtelSource\DL70V11.yddb				



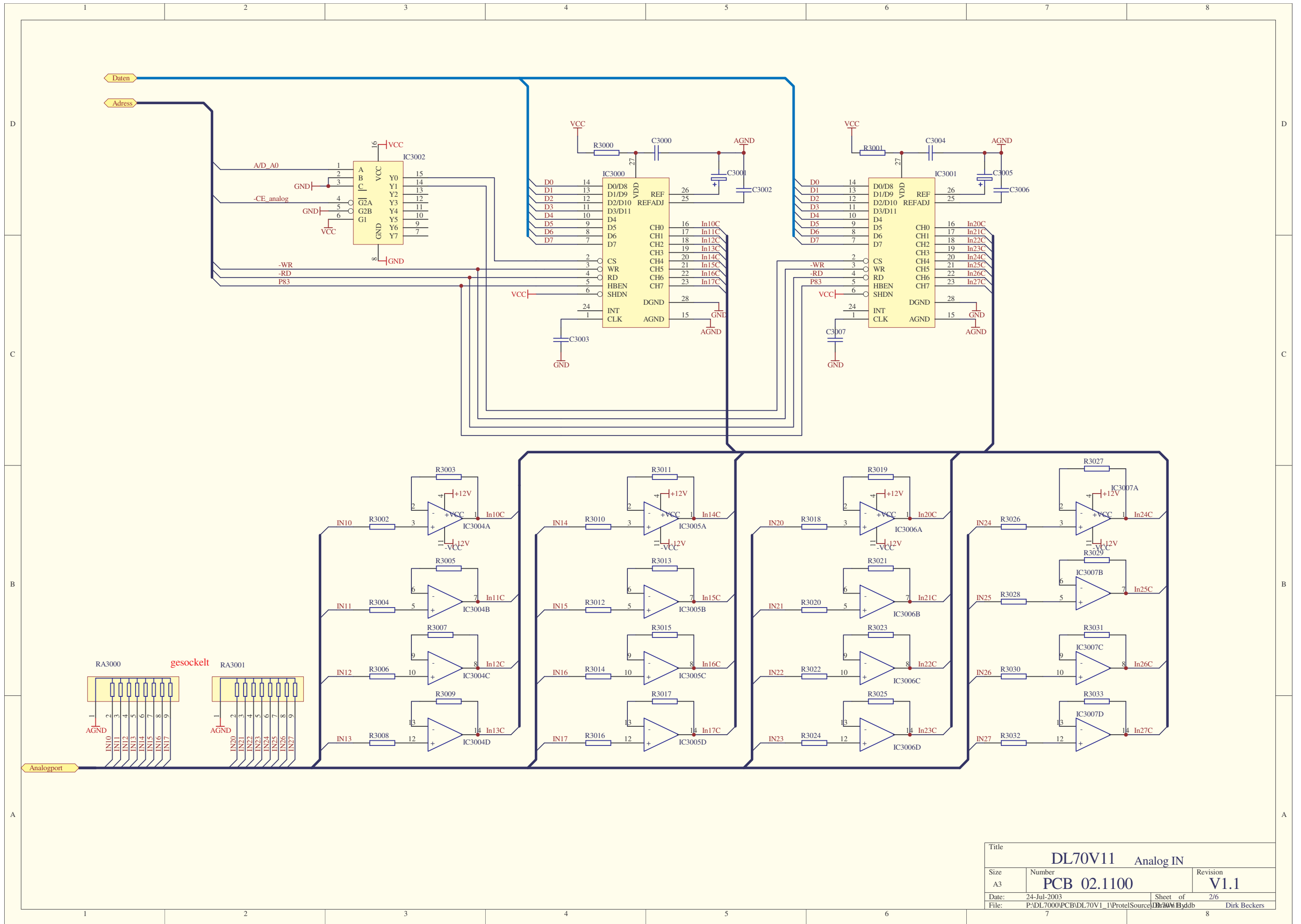
Title		DL70V11 Power	
Size	Number	Revision	
A3	PCB 02.1100	V1.1	
Date:	24-Jul-2003	Sheet of	
File:	P:\DL7000\PCB\DL70V1_1\ProtelSource\DL70V11.dwg		



Title			DL70V11 Media		
Size	Number	Revision			
A3	PCB 02.1100	V1.1			
Date:	24-Jul-2003	Sheet of			
File:	P:\DL7000\PCB\DL70V1_1\ProtelSource\DL70V11.yddb	Drawn by			



Title			DL70V11 LC-Display		
Size	Number			Revision	
A3	PCB 02.1100			V1.1	
Date:	24-Jul-2003	Sheet of			
File:	P:\DL7000\PCB\DL70V1_1\ProtelSource\DL70V11.Brd		8		



Title			
<b>DL70V11 Analog IN</b>			
Size	Number	Revision	
A3	<b>PCB 02.1100</b>	<b>V1.1</b>	
Date:	24-Jul-2003	Sheet of	2/6
File:	P:\DL7000\PCB\DL70V1_1\ProtelSource\DL70V11Byddb	Drawn by	Dirk Beckers