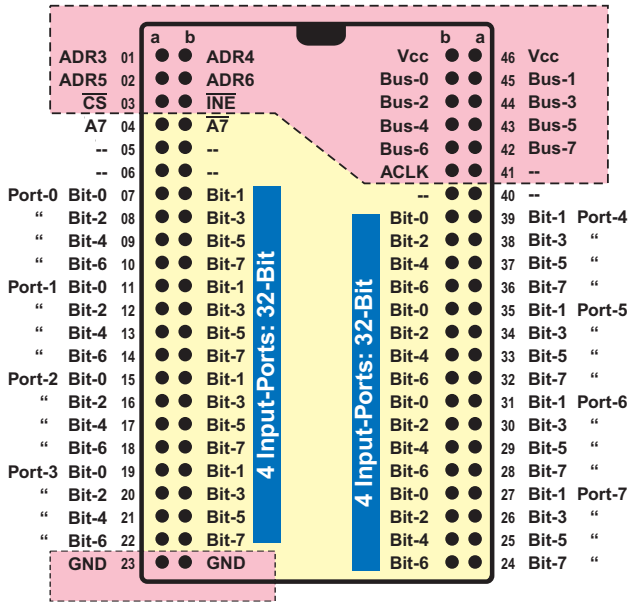
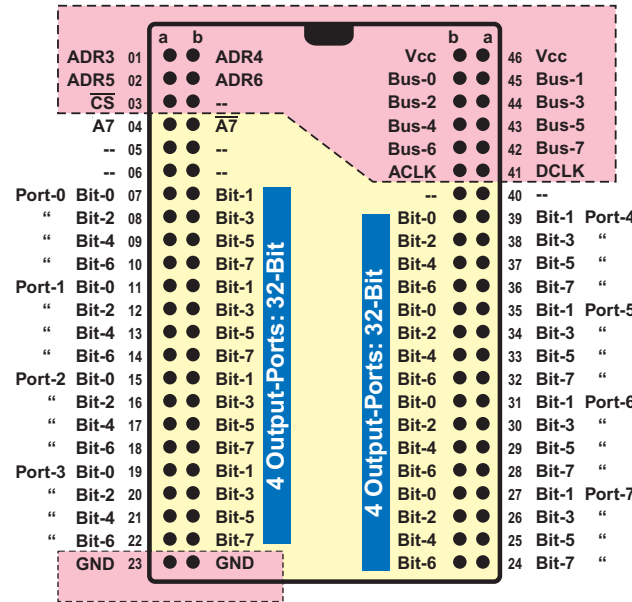


BASIC Tiger I/O Module

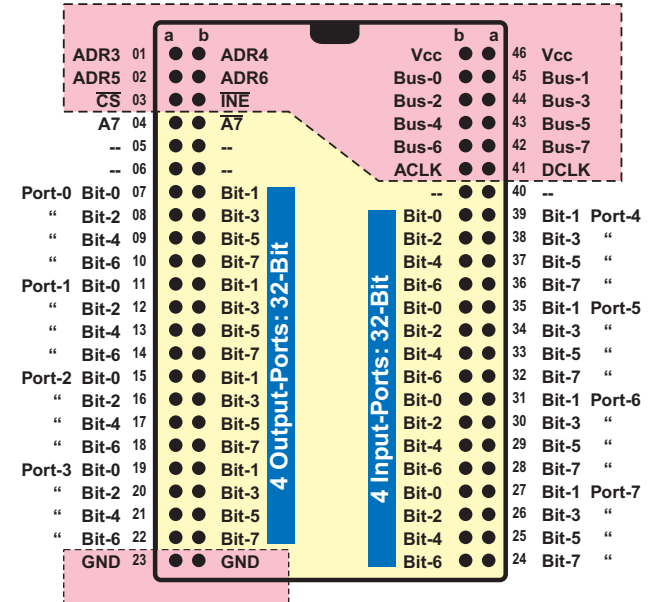
EP1-64HDE 8 x 8 digital In



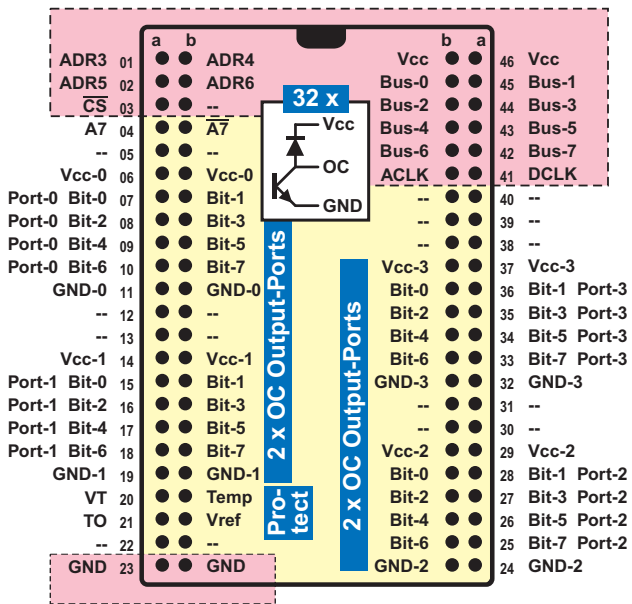
EP2-64SDA 8 x 8 digital Out



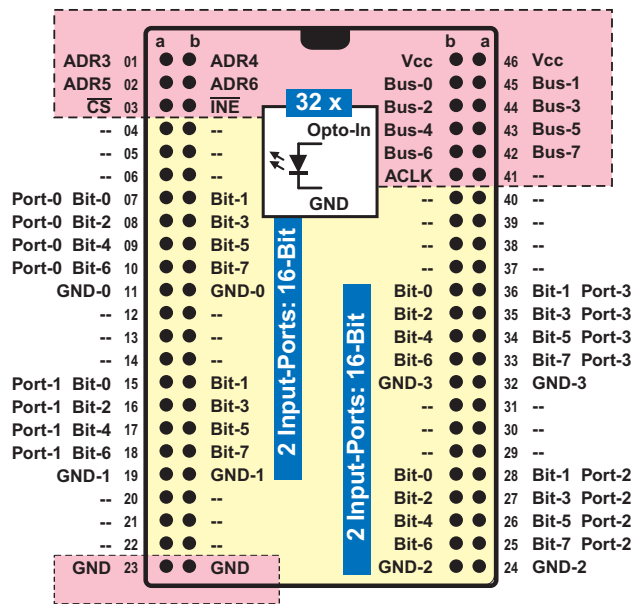
EP3-32-32 32 In + 32 Out



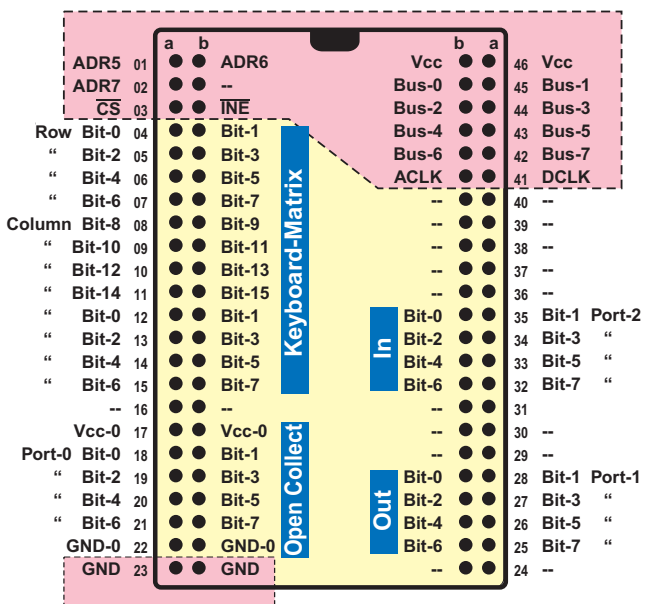
EP4-32PDA 32 Hi-Current Out



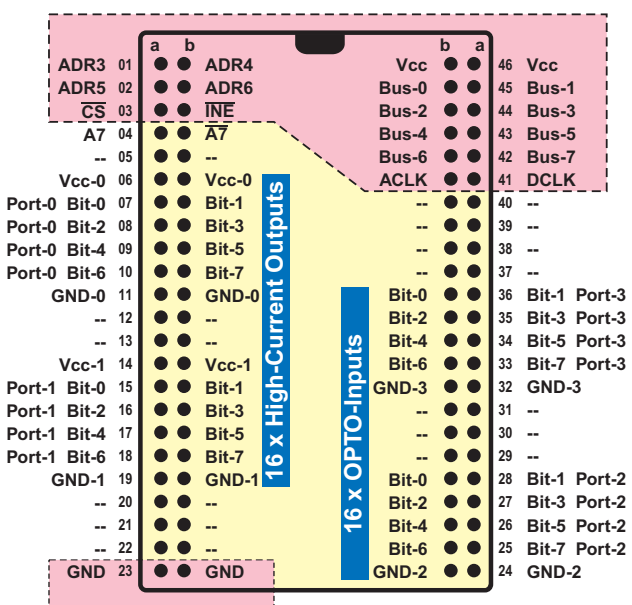
EP5-32GDE 32 OPTO-Inputs



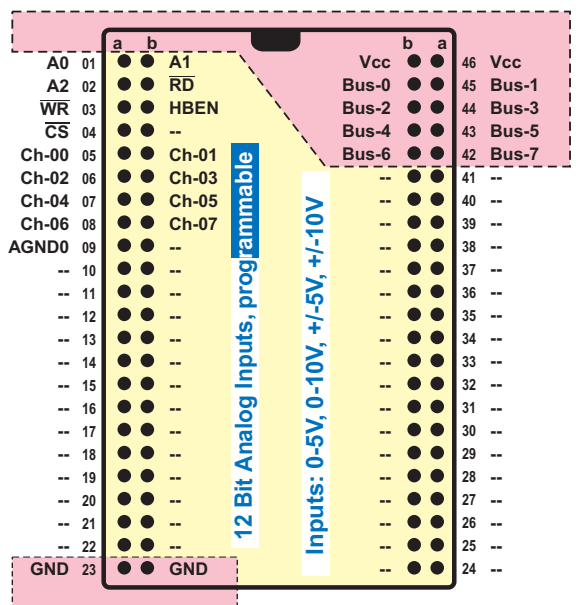
EP6-UNIVD Universal, digital



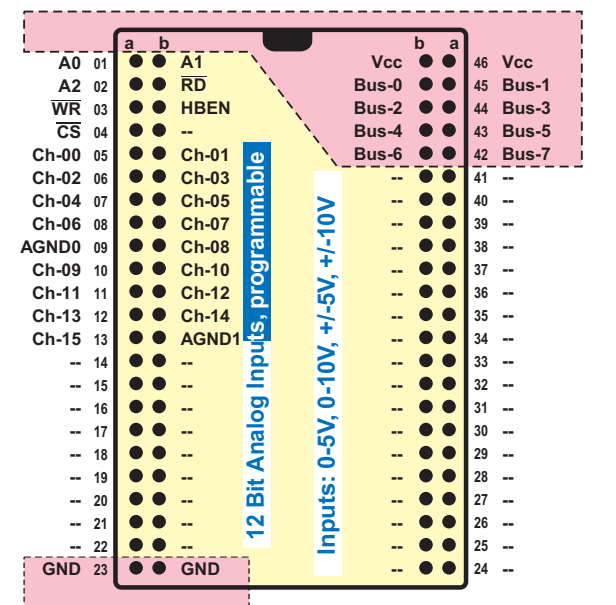
EP10-16-16 16 Hi-Current + 16 Opto



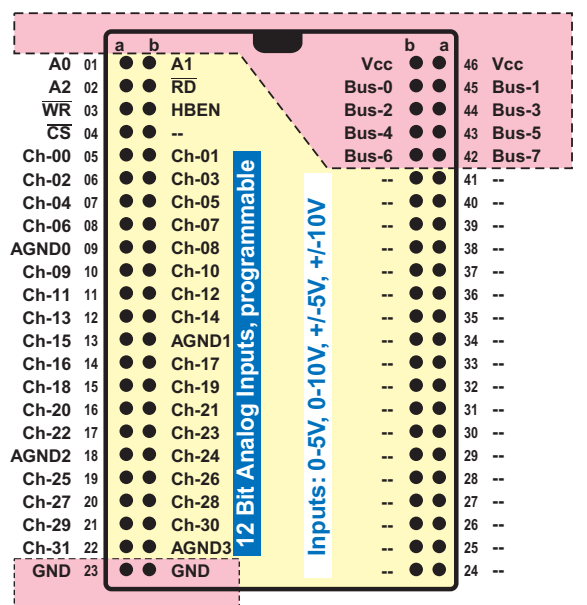
EP11-8AD 8 x A/D, 12-Bit



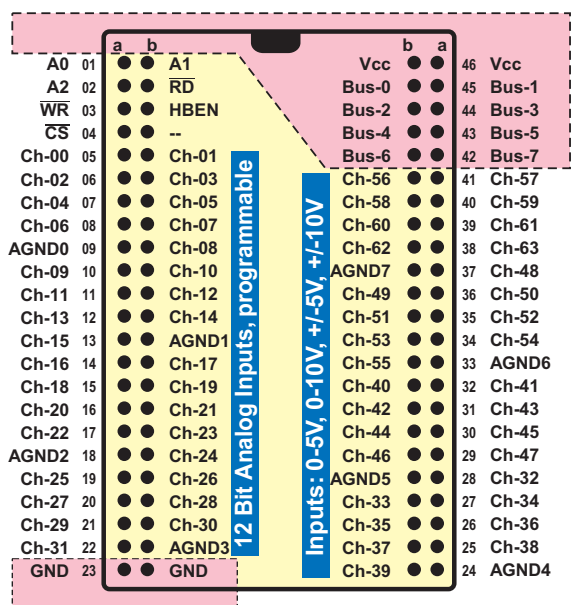
EP12-16AD 16 x A/D, 12-Bit



EP13-32AD 32 x A/D, 12-Bit



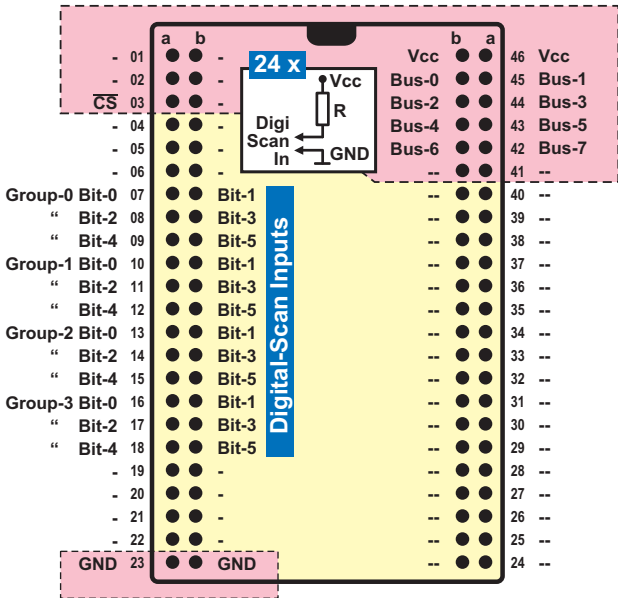
EP14-64AD 64 x A/D, 12-Bit



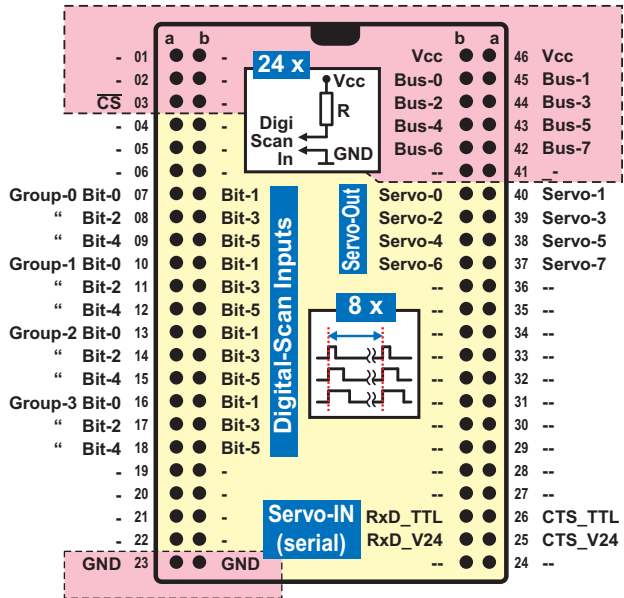
BASIC Tiger I/O Module

Pinouts_EP_Module_CD#.CDR / 28.Jan.2003 / hjw

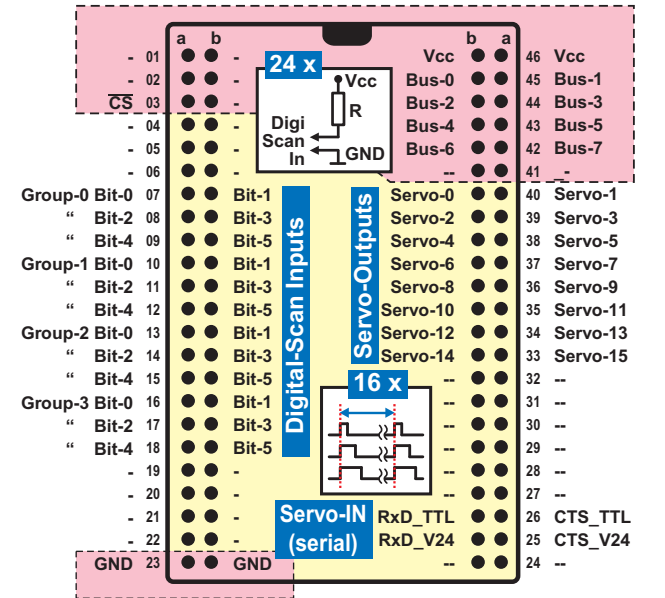
EP15-SCAN 24 Digi-Scan Inputs



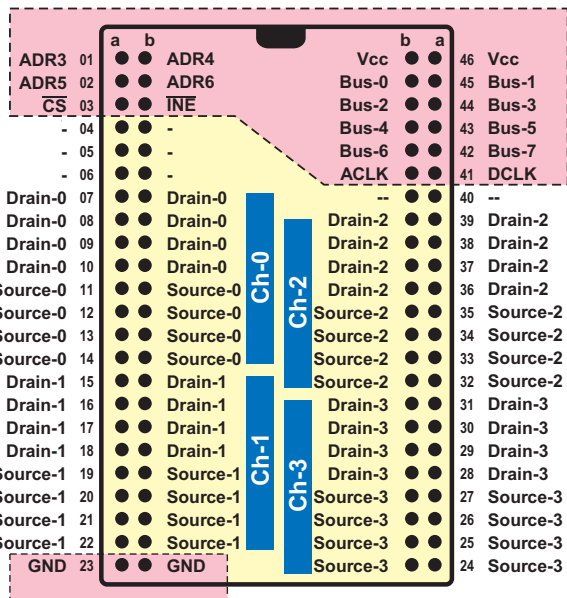
EP16-SERVO8 Servo + Digi-Scan



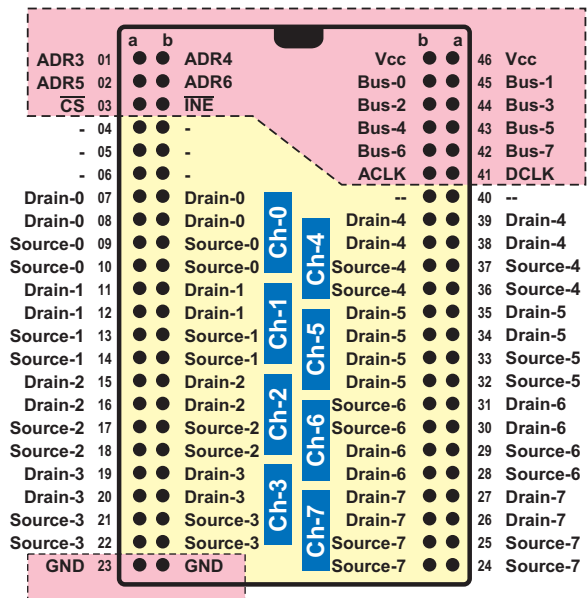
EP17-SERVO16 Servo + Digi-Scan



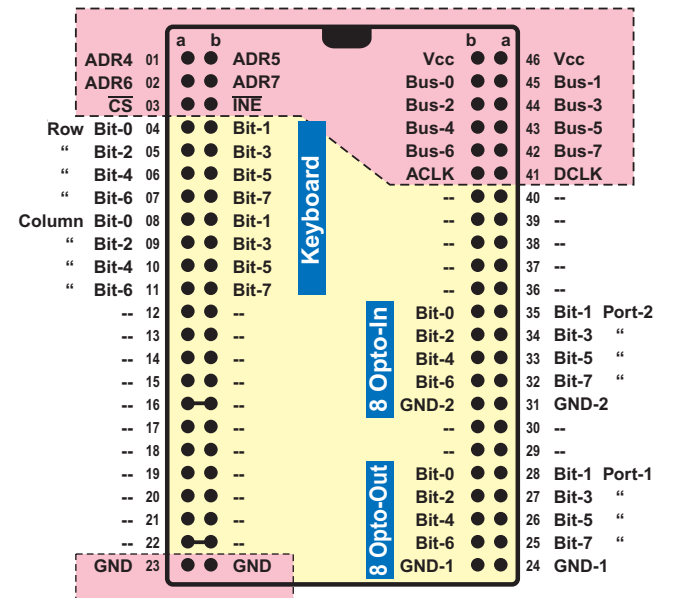
EP18-POWER4 4 Power-Outputs



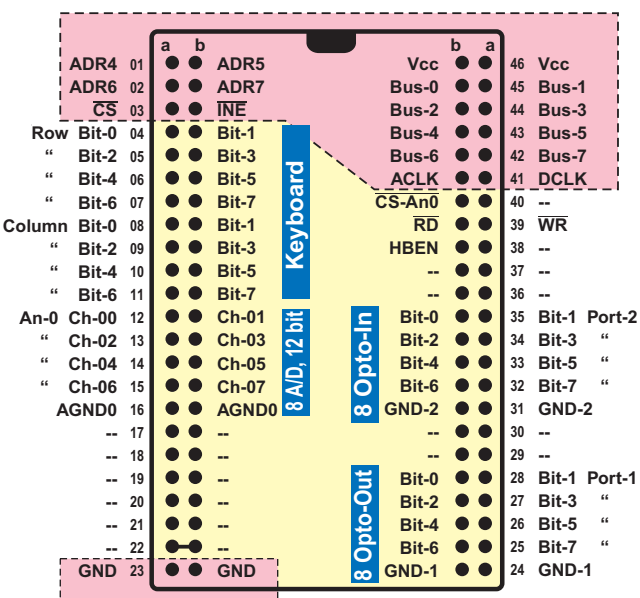
EP19-POWER8 8 Power-Outputs



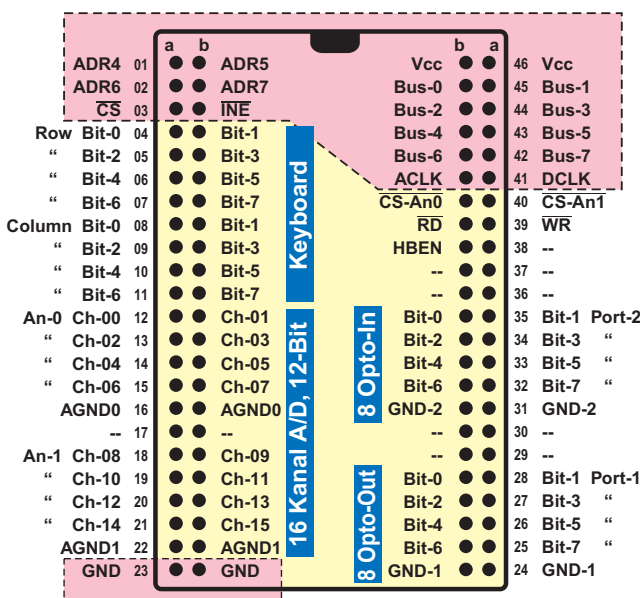
EP20-OPTO Universal, digital



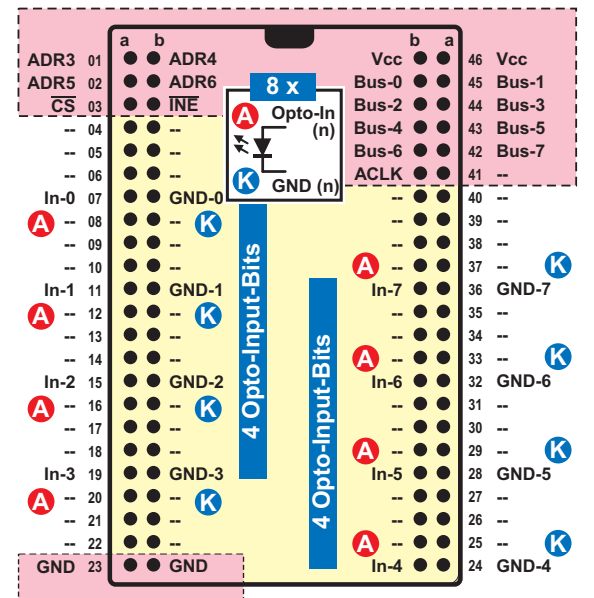
EP21-OPTO-8AD Universal A+D



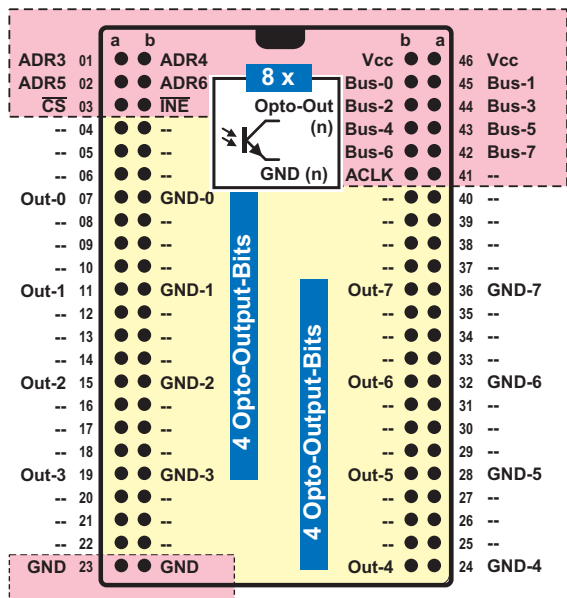
EP22-OPTO-16AD Universal A+D



EP23-OPTO-8XE 8 OPTO-Inputs



EP24-OPTO-8XA 8 OPTO-Outputs



EP30-PPIO64 64 prog. digital I/Os

