

# BTI-ADAP-xxSMC



## Adapter for SMC Interface

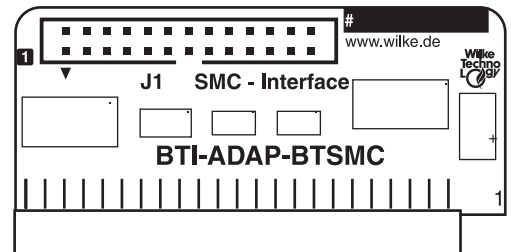
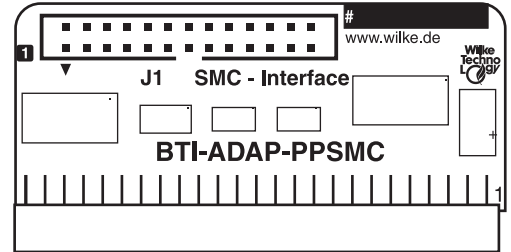
Adapter Version V1.0

### Introduction

The BTI-ADAP-xxSMC are adapters to connect the SmartMedia FLASH Card Interface to the Prototyping Boards provided by Wilke Technology GmbH

The adapters offer an easy to use plug and play solution for owners on a Prototyping Board: Just plug an adapter onto the Extension Port of a Prototyping Board, connect the SMC-Interface with a 26pole flat cable and you are ready to use the huge memory space of SmartMedia FLASH Cards.

There are 2 types of Adapter available. Use the following table to select the right one



Adapter	Prototyping Board
BTI-ADAP-PPSMC	Plug & Play Lab CAN-Bus Prototyping Board Ethernet Prototyping Board EM-Universal Prototyping Board EP33 UART Demoboard
BTI-ADAP-BTSMC	BASIC-Tiger Prototyping Board Tiny-Tiger Prototyping Board

Contents	
◆ Introduction	Page 1
◆ how to use the BTI-ADAP-xxSMC Adapter	Page 2
◆ Revision table	Page 3
◆ schematic of the BTI-ADAP-xxSMC Adapter	appendix

# BTI-ADAP-xxSMC



## Adapter for SMC Interface

Adapter Version V1.0

### how to use the BTI-ADAP-xxSMC Adapter

To use the SMC Interface with a Prototyping Board following steps are necessary:

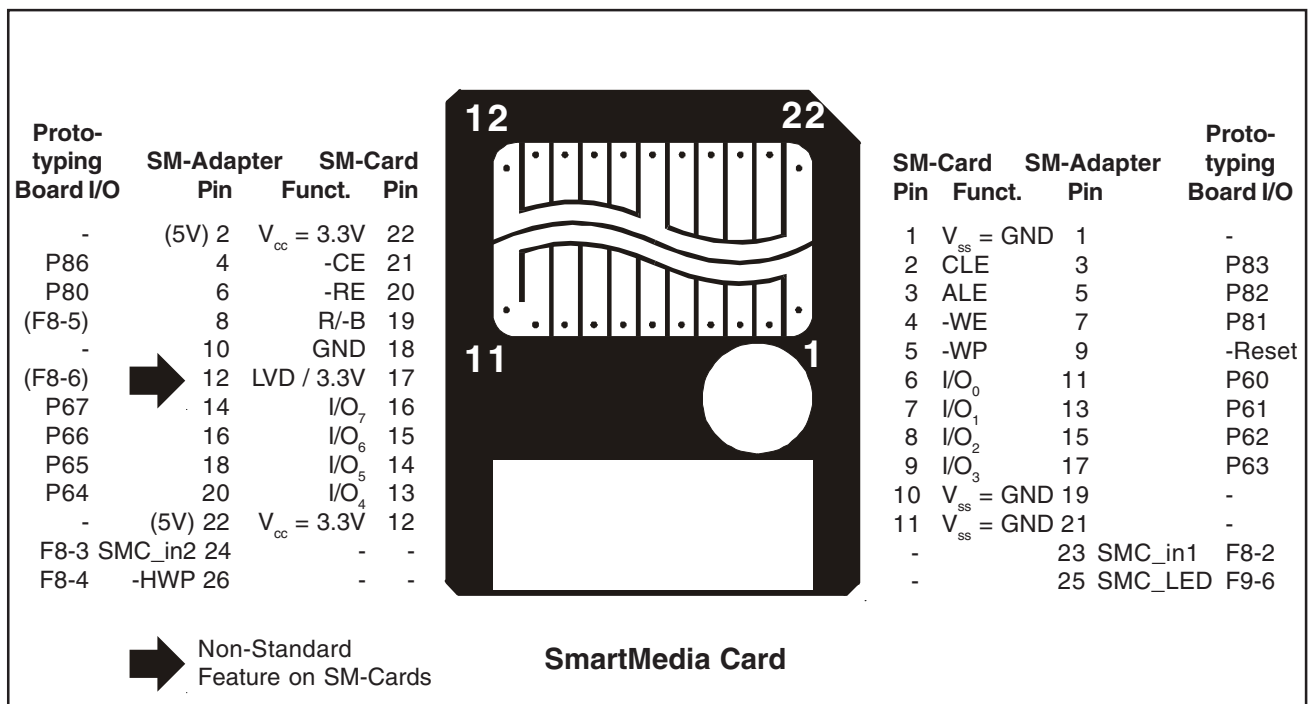
- ♦ remove the power supply of the Prototyping Board
- ♦ connect the SMC Interface to J1 of the adapter with a 26 pole flatcable
- ♦ make sure that pin 1 of the SMC Interface is connected to pin 1 of the adapter
- ♦ plug the adapter to the Extension Port of the Prototyping Board
- ♦ make sure that pin 1 of the Prototyping Board is connected to pin 1 of the adapter
- ♦ to use the BTI-ADAP-PPSMC with the Plug&Play Lab disable the Keyboard and LCD by removing all Jumpers J22 on the Plug&Play Lab
- ♦ attach the power supply to the Prototyping Board

Use the manual of the SMC Interface for information how to use the SmartMedia FLASH Cards. See also the programming examples and application note available in the web at [www.wilke-technology.com](http://www.wilke-technology.com)

You may copy the schematics in the appendix or parts of it to use in your own application

The BTI-ADAP-xxSMC is an open evaluation board without enclosure. It is a test equipment for laboratory use and should be handled with care by experienced technicians. Avoid electrostatic discharge.

### Connection scheme of SmartMedia Flash Card:



# BTI-ADAP-xxSMC



## Adapter for SMC Interface

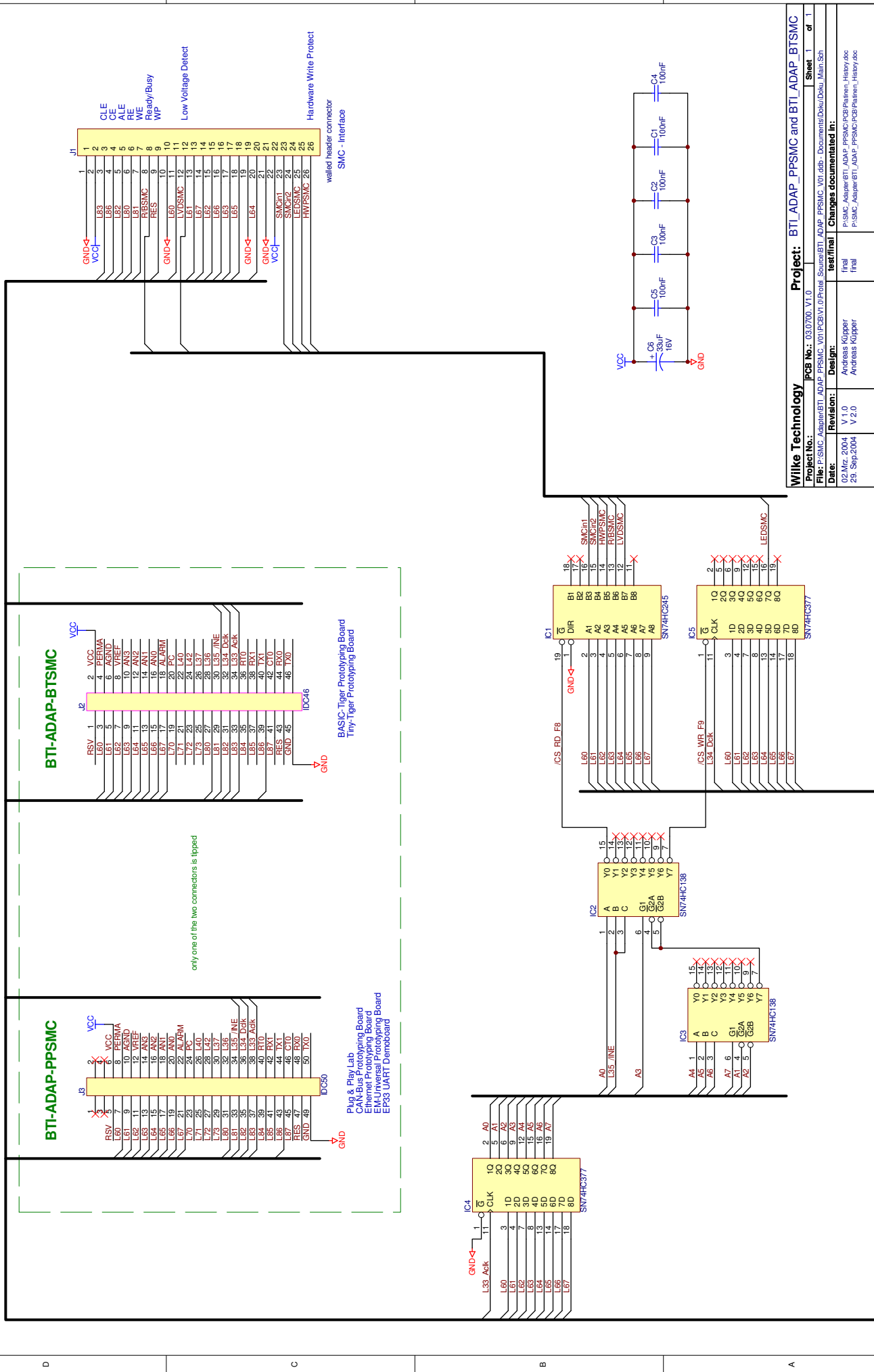
Adapter Version V1.0

### Revision Table

Dokument	Adapter Version	Changes
V001	1.0	-
V002	1.0	document layout changed, schematic attached
V003	1.0	Connection scheme of SmartMedia Flash Card corrected
V004	1.0	Instruction to disable Keyboard on the Plug&Play Lab added

# BTI\_ADAP\_PPSMC and BTI\_ADAP\_BTSMC

Adapter for SMC Interface



**Wilke Technology** | **Project: BTI\_ADAP\_PPSMC and BTI\_ADAP\_BTSMC** | **Sheet 1 of 1**

File: PPSMC\_AdapterBTI\_ADAP\_PPSMC\_V01.PCB.V01.PDF | Subdir: BTI\_ADAP\_PPSMC\_V01.dtb | Documents/Doku/Doku\_Main.Sch

Date: 02.Mir.2004 | V 1.0 | Design: final | Changes documented in: final

Revision: 29.Sep.2004 | V 2.0 | Designer: Andreas Kupper | final